

## FAI -820 Advanced Keyless Entry System

1. FEATURES & SPECIFICATIONS .....	1
2. TRANSMITTERS APPLIED FOR 4-BUTTON TRANSMITTER.....	1
3. FUNCTIONS .....	1
3.1 Transmitter Learning .....	1
3.2 Key Function Table / 4-Button Transmitter.....	2
3.4 Door Unlock .....	2
3.5 Channel 2 Output (Aux. 1 Output) .....	2
3.6 Channel 3 Output (Aux. 2 Output) .....	2
3.7 Car Finder.....	2
3.8 Door Lock/Unlock Time .....	2
4. TRANSMITTERS APPLIED FOR 2-BUTTON TRANSMITTER.....	2
5. FUNCTIONS .....	2
5.1 Transmitter Learning .....	2
5.2 Key Function Table / 2-Button Transmitter.....	3
5.3 Door Lock .....	3
5.4 Door Unlock .....	3
5.5 Channel 2 Output (Aux. 1 Output) .....	3
5.6 Channel 3 Output (Aux. 2 Output) .....	3
5.7 Car Finder.....	3
5.8 Door Lock/Unlock Time .....	3
WIRING DIAGRAM .....	4
WIRING NOTE .....	5

### 1. FEATURES & SPECIFICATIONS

- Remote Lock / Unlock
- Car Finder
- Remote close car windows and sunroof
- Remote trunk open (if installed)
- Programmable transmitter learning
- Programmable door lock time as 1 or 4 seconds
- 2 parking light outputs

### 2. TRANSMITTERS APPLIED FOR 4-BUTTON TRANSMITTER



### 3. FUNCTIONS

#### 3.1 Transmitter Learning

Connect the power on, the lights will flash twice and doors unlock. Within 10 seconds, press the switch of learning code 6 times, the parking lights will be on and the system enters into the transmitter learning code. Within next 10 seconds, press any button of the first transmitter within 10 seconds, parking lights will be off first, then on and off, and stay on to confirm the first transmitter is learned. Within another 10 seconds, then apply the same procedure for the second transmitter. Parking lights will be off first, then on and off to confirm the second transmitter is learned. The system will quit the learning code procedure. If 2 transmitters have not finished learning code and the time is over 30 seconds, then the system will quit the learning code procedure.

### 3.2 Key Function Table / 4-Button Transmitter

Button	Door Lock	Door Unlock
Press Button #1 once	Lock	Lock
Press Button #1 over 2 seconds.	Car Finder	Car Finder
Press Button #2	Unlock	Unlock
Press Button #3 over 2 seconds	Channel 2 on 1 sec.	Channel 2 on 1 sec.
Press Button #4	Channel 3	Channel 3

#### 3.3 Door Lock

When press button #1, doors will be locked. Parking lights will flash once and the system will send 30-second channel 3 output to close car windows or sunroof, depending on applications.

#### 3.4 Door Unlock

When press button #2, doors will be unlocked and parking lights will flash twice.

#### 3.5 Channel 2 Output (Aux. 1 Output)

Under any circumstance, press button #3 over 2 seconds, the system will send 1-second channel 2 output for trunk release.

#### 3.6 Channel 3 Output (Aux. 2 Output)

- Every time when press button #1 to lock, the system will send 30-second channel 3 output to close car windows or sunroof, depending on applications.
- Under any circumstance, when press and hold button #4, the system will keep sending the channel 3 output until release button #4.

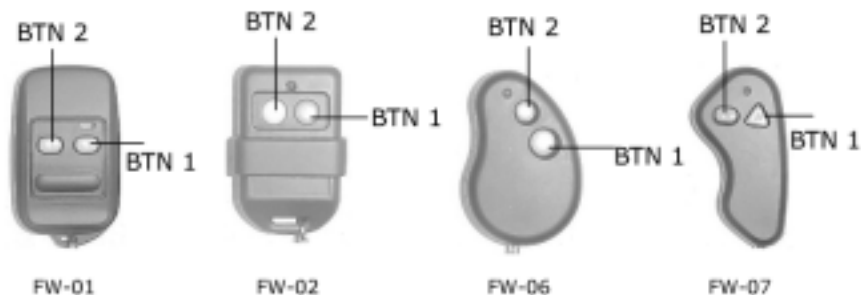
#### 3.7 Car Finder

Under any circumstance, press button #1 over 2 seconds, the car finder function will be activated and parking lights will flash 12 times.

#### 3.8 Door Lock/Unlock Time

- When put on the jumper of door lock/unlock time, the door lock/unlock time will be defaulted as 1 second.
- When put off the jumper of door lock/unlock time, the door lock/unlock time will be defaulted as 4 seconds.

## 4. TRANSMITTERS APPLIED FOR 2-BUTTON TRANSMITTER



## 5. FUNCTIONS

### 5.1 Transmitter Learning

Connect the power on, the lights will flash twice and doors unlock. Within 10 seconds, press the switch of learning code 3 times, the parking lights will be on and the system enters into the transmitter learning code. Within next 10 seconds, press any button of the first transmitter within 10 seconds, parking lights will be off first, then on and off, and stay on to confirm the first transmitter is learned. Within another 10 seconds, then apply the same procedure for the second transmitter. Parking lights will be off first, then on and off to confirm the second transmitter is learned. The system will quit the learning

code procedure. If 2 transmitters have not finished learning code and the time is over 30 seconds, then the system will quit the learning code procedure.

#### 5.2 Key Function Table / 2-Button Transmitter

Button	Door Lock	Door Unlock
Press Button (1) once	Unlock	Lock
Press Button (1) over 2 seconds.	Car Finder	Car Finder
Press Button (2) over 2 seconds	Channel 2 on 1 sec.	Channel 2 on 1 sec.
Press Button (1) + (2)	Channel 3	Channel 3

#### 5.3 Door Lock

When press button #1, doors will be locked. Parking lights will flash once and the system will send 30-second channel 3 output to close car windows or sunroof, depending on applications.

#### 5.4 Door Unlock

When press button #1, doors will be unlocked and parking lights will flash twice.

#### 5.5 Channel 2 Output (Aux. 1 Output)

Under any circumstance, press button #2 over 2 seconds, the system will send 1-second channel 2 output for trunk release.

#### 5.6 Channel 3 Output (Aux. 2 Output)

- a) Every time when press button #1 to lock, the system will send 30-second channel 3 output to close car windows or sunroof, depending on applications.
- b) Under any circumstance, when press and hold button #1 and #2 simultaneously, the system will keep sending the channel 3 output until release button #1 and #2.

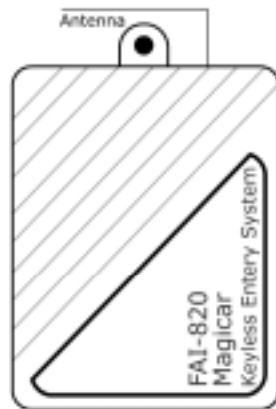
#### 5.7 Car Finder

Under any circumstance, press button #1 over 2 seconds, the car finder function will be activated and parking lights will flash 12 times.

#### 5.8 Door Lock/Unlock Time

- a) When put on the jumper of door lock/unlock time, the door lock/unlock time will be defaulted as 1 second.
- b) When put off the jumper of door lock/unlock time, the door lock/unlock time will be defaulted as 4 seconds.

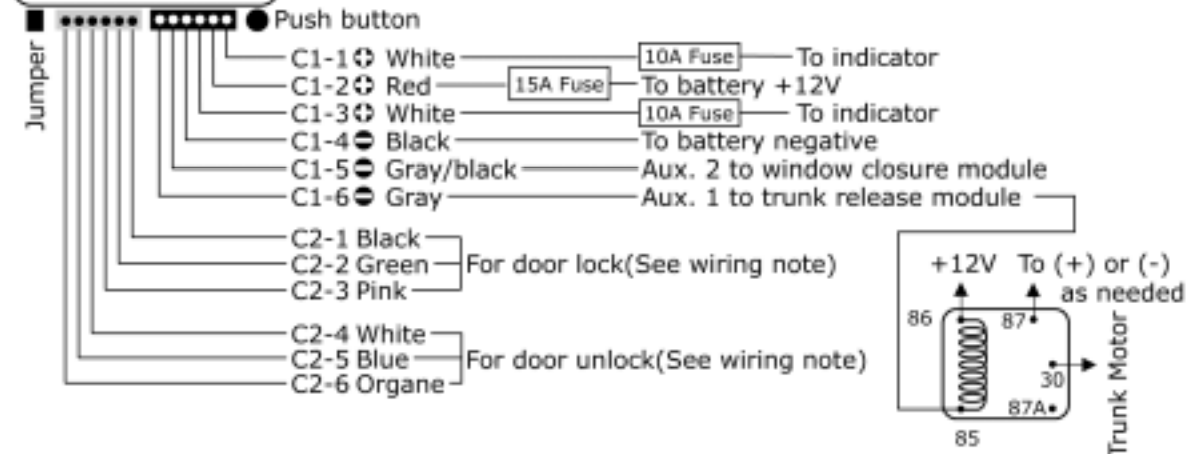
**WIRING DIAGRAM**



**Keyless Entry System**  
 Remote Module  
 2-Button or 4-Button Remoter available

**Features:**

1. Remote door lock/unlock
2. Car finder
3. Total closure
4. Remote trunk open
5. Programmable remoter code learning(Push button)
6. 1 or 4 sec. lock time adjustable(Jumper)
7. 2 indicator outputs



WIRING NOTE

## FAI-820 Wiring Note

### Central door Lock Wiring Diagram

Diagram #A  
Original built-in central power lock

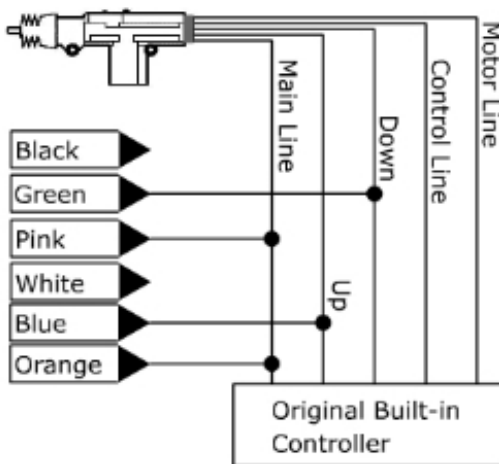


Diagram #B  
Original built-in central power lock & electric power lock switch were installed  
For example: CHRYSLER

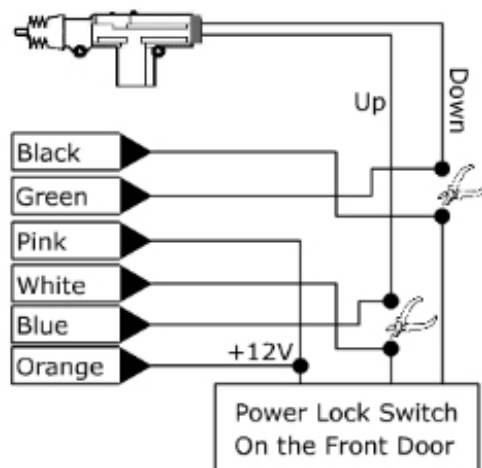


Diagram #C  
Original built-in central power lock & only a switch existed inside of the front door.  
A motor and the control level were required

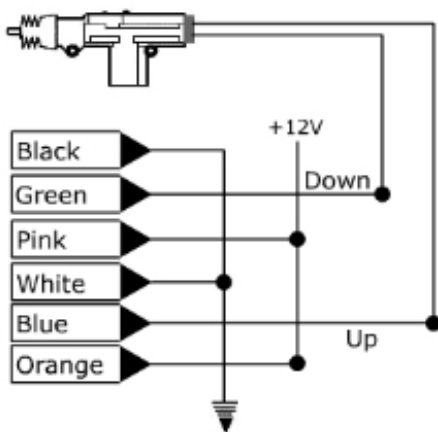


Diagram #D  
Original built-in power lock & using compressor to control the switch.  
For example: BENZ, AUDI  
(Note: Active time 3.5 sec.)

