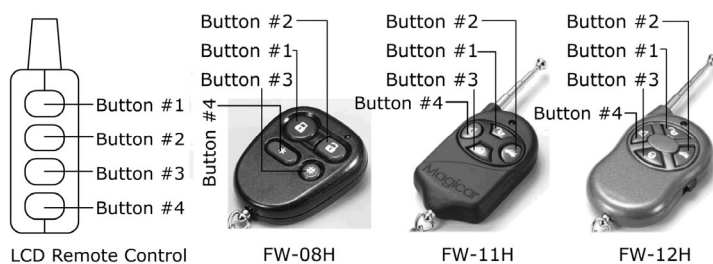


FAI-8200

2-Way Color LED FM technology Security System

Features

1. 1 Two Way LED Remote Transmitter and 1 one way 2nd remote
2. Code Hopping and Code Learning Remote System
3. Up to 4 LED remote transmitters Programmable
4. Remote Engine Start
5. Remote Arm/Disarm
6. Mute Arm/Disarm
7. Starter Kill (500mA negative output) in arming mode
8. Remote Trunk Release
9. Passive or Active Lock Programmable
10. Auto Re-arm
11. Lock/Unlock on driving
12. Silent Car Searching
13. Vibrate or Audible Alert
14. Low level of Battery Indication
15. Audible Intrusion Zone Identification
16. Defective Zone Alert and By-pass
17. Back-up Memory for the Battery Power Failure
18. Keyless Entry While Ignition is on
19. Remote Panic
20. Remote Hijacking – Keeping Engine on.
21. Last Door Arming
22. Siren Chirp programmable for 30 or 60 seconds
23. Built-In Actuators Relay
24. Tach or Tachless Sensing
25. Central Lock Active Time selectable 0.5 or 3.5 seconds
26. Plug-In Dual Stage Shock Sensor
27. Pre-warn away
28. Vehicle Status Report
29. Triggered Report by chirp when disarmed
30. Ignition Auto Lock/Unlock
31. Siren or Horn selectable
32. 24hr Engine start



Key Function Table

Button	ARM	DISARM	Ignition On
Press Button (1) once	Arm	Arm	Lock
Press Button (1) over 2 sec.	Panic	Panic	Panic
Press Button (2) once	Disarm	Disarm	Unlock
Press Button (3) over 2 sec.	Trunk Release	Trunk Release	Trunk Release

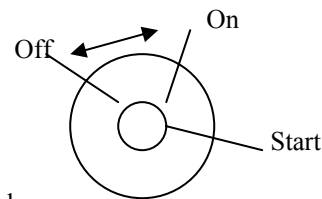
Press Button (3) once	Car Finder	Car Finder	Car Finder
Press Button (4) once	Lighted Display	Lighted Display	Lighted Display
Press Button (4) over 3 sec.	Remote Start On/Off	Remote Start On/Off	
Press Button (1)+(2) once	Mute Disarm	Mute Arm	Valet Mode
Press Button (1)+(4) over 1 sec.	Timer Start Mode	Timer Start Mode	Timer Start Mode
Press Button (2)+(3)	Status Report	Status Report	Status Report
Press Button (3)+(4)	Vibrate Alert On/Off	Vibrate Alert On/Off	Vibrate Alert On/Off
Press Button (2)+(4)		Save mode	Save mode

System Features

Transmitter Code Learning

Take the following procedures to perform the transmitter code learning.

- a. Under the disarm mode, close the door, switch the ignition ON/OFF 3 times and then, stay ON position.
(each time shall get finished within 1second or it will skip this mode).
Siren will chirp 2 times, and enter into the code learning mode.
- b. To perform the transmitter code learning, press button (1) within 10 seconds.
Then the siren will chirp twice and the parking lights flash twice to confirm that the code has been learned.
Take the same procedure for second, third and fourth remote transmitter.
- b. If the ignition is turned OFF or button (1) is not pressed within 10 seconds, the system will quit the code learning mode. If so, try it again from the first step.
- c. Up to 4 remote transmitters are programmable to the system.



Remote Arm

To arm the system, exit the vehicle and close all doors, just press button (1) once. The siren will chirp once and the parking lights flash once. Then, the doors will be locked and starter kill will be On and Armed. The red LED of the LED transmitter will flash for 10 seconds to indicate the system is armed.

Now the system is ready to respond if intrusion attempts are detected.

If the doors, trunk or hood is opened, or the first stage shock sensor is triggered, the siren will chirp three times and the parking lights flash three times at the same time. The violated zones will be by-passed and the system enters into the arm mode.

Remote Disarm

To disarm the system, just simply press button (2) once while the system is armed. The siren will chirp twice and the parking lights flash twice at the same time.

If triggered while the system is armed, press button (2) once, the siren will chirp 4 times, doors will be unlocked and start kill is off. The siren will be back to chirp 2 times after pressing button (2) to disarm after switching the ignition on and off.

Enhanced System Alerts

To protect your vehicle, the system will emit the different alert under the various situations.

- a) Pre-warn sensor (first-stage sensor) triggered: Light impact will activate the pre-warn sensor. The siren will chirp three times with impact icon display.
- b) Shock sensor (second-stage sensor) triggered: Heavy impact will activate the second-stage sensor. The parking lights will flash and siren sound for 30 seconds and the system is still armed. The LED wire will flash once and off in a cycle (30 seconds) to indicate the shock sensor is triggered.
- c) Ignition on: Siren will sound until the ignition is off. The LED wire will flash 4 times and off in a cycle (30 seconds) to indicate the ignition is triggered.
- d) Door open and then closed: The parking lights will flash and siren sound for 30 seconds. The LED wire will flash 3 times and off in a cycle (30 seconds) to indicate the door is triggered.
- e) Door open and not closed: Siren will sound for three cycles, each cycle lasts for 30 seconds (siren will stop for 5 seconds and sound again for next cycle). Door sensors will be bypassed until they are closed. The LED wire will flash 3 times

- and off in a cycle (30 seconds) to indicate the door is triggered.
- f) Hood or trunk open and then closed: The parking lights will flash and siren sound for one cycle 30 seconds. The LED wire will flash 2 times and off in a cycle (30 seconds) to indicate the ignition is triggered. The LED wire will flash 2 times and off in a cycle (30 seconds) to indicate the hood or trunk is triggered.
 - g) Hood or trunk open and not closed: Siren will sound for three cycles (siren will stop for 5 seconds and sound again for next cycle). Hood or trunk switches will be bypassed until they are closed. The LED wire will flash 2 times and off in a cycle (30 seconds) to indicate the hood or trunk is triggered.
 - h) Alarm triggered: Press button (1), siren will chirp once, door lock and the system is still armed. Press button (2) once, siren will chirp four times, parking light flash 4 times, doors unlock, start kill off and LED off.

Mute Arm Mode

When the system is disarmed, press button (1) and (2) simultaneously, lights will flash once, start-kill is on and doors are locked, then the system enters into the mute arm mode. Under the arm mode, press button (1) and (2) simultaneously, lights will flash twice, start-kill is off and doors are unlocked, then the system is disarmed.

- a) Warn away sensor triggered: siren will chirp three times and send triggered signal to the remote transmitter in order to inform that the vehicle is impacted lightly. And the system is still under mute arm mode.
- b) Second-Stage Shock Sensor triggered: The parking lights will flash, but siren will not sound. The lights will be off after flashing one cycle and the system will remain still under the mute arm mode. The LED wire will flash once and off in a cycle (30 seconds) to indicate the shock sensor is triggered
- c) Ignition Trigger (when ignition is on): The parking lights will flash and siren sound. Lights and siren will stop flashing and sounding until the ignition is off. The LED wire will flash 4 times and off in a cycle (30 seconds) to indicate the ignition is triggered.
- d) Door open and then closed: The lights will flash and siren sound. The lights and siren will be off after one siren-sounding cycle and the system will remain still under the mute arm mode. The LED wire will flash 3 times and off in a cycle (30 seconds) to indicate the door is triggered.
- e) Door open and not closed: The parking lights and siren will be on for three cycles, and door sensors will be bypassed until doors are closed properly, then the system remains under the mute arm mode. The LED wire will flash 3 times and off in a cycle (30 seconds) to indicate the door is triggered.
- f) Hood or trunk open and closed: The parking lights will flash but the siren not sound. Lights will stop flashing after one siren-sounding cycle and the system remains under the mute arm mode. The LED wire will flash 2 times and off in a cycle (30 seconds) to indicate the hood or trunk is triggered.
- g) Hood or trunk open and not closed: The parking lights will flash for the three cycles, siren not sound, and hood or trunk switches will be bypassed until they closed properly, then the system remains under the mute arm mode. The LED wire will flash 2 times and off in a cycle (30 seconds) to indicate the hood or trunk is triggered.
- h) When the alarm is triggered, press button (1) once, lights will stop flashing. Press button (1) once again, the siren will chirp 4 times, lights flash 4 times, doors unlock, start kill off, LED off or flashes rapidly, the system will quit the mute arm mode.

Panic Mode

Use this mode conveniently when you are in a situation to warn away the intruders.

- a) Under the disarm mode, press button (1) 2 seconds.
The siren will sound and parking lights will flash for 30/60 seconds (depending on the default). The system will be still disarmed after the siren is off.
- b) Under the arm mode, press button (1) 2 seconds.
The siren will sound and parking lights will flash for 30/60 seconds (depending on the default).. The system will remain armed.
- c) Under the ignition is on, press button (1) 2 seconds.
The siren will sound and parking lights will flash for 30/60 seconds (depending on the default).. The system will remain under the ignition mode.
- d) Under the panic mode, press button (1) once, parking light will flash once, start kill is on, doors lock and the system will be armed. Under the panic mode, press button (2) once, parking light will flash twice, start kill is off, doors unlock and the system will be disarmed.
- e) Under the panic mode when the ignition is on, press button (1) or (2) once, parking light will be off and the system remains under the ignition mode.

Trunk Release

Press and hold button (3) 2 seconds either the system is armed or disarmed, the LED transmitter will chirp once, trunk will be released. Apply the trunk release function while the system is armed, the shock sensor will be bypassed. The shock sensor will function normally in 3 seconds after closing trunk.

Emergency Override Mode

As an emergency situation happens like the remote transmitters lost, you can override the full security system.

- a) Open the door by your car key and the alarm will be triggered.
- b) Switch the ignition on/off 6 times, the siren will be off and the system is disarmed.

Remote Valet Mode

This mode is a convenient feature to use when you hand the remote transmitter to third person for valet parking or vehicle service.

- a) When the system is disarmed, switch the ignition on and press button (1) and (2) once simultaneously, the siren will chirp once and then the system enters into the valet mode. Under this mode, drivers can control only door lock/unlock.
- b) To quit the remote valet mode, switch the ignition on and press button (1) and (2) once simultaneously, the siren will chirp twice and then the system will quit the valet mode.

Car Finder

- a) When the system is armed, press button (3) once, the parking lights will flash 12 times and siren will chirp 6 times, then the system will remain under the arm mode.
- b) When the system is disarmed, press button (3) once, the parking lights will flash 12 times and siren will chirp 6 times, then the system will remain under the disarm mode.
- c) Under the car finder mode, press button (1) or (2) once, the system will be armed or disarmed.

RPM (Tach) Learning

Before perform the RPM(Tach) learning, turn off all electrical devices such as car stereo, FM Radio or air conditioner.

By doing so, the system will learn lower RPM, which will make it smoother and easier when remote starts.

Take the following steps to perform the RPM learning.

- a) Shift the gear to the neutral position and pull up the hand brake.
- b) Switch the ignition on and start the engine.
- c) Wait until the PRM is running stably (normally vehicle's stable RPM is 900-1,000.)
- d) Press button (1) and (3) simultaneously for 3 seconds. The parking lights will flash 2 seconds to confirm that RPM is learned.

Important:

1. **Please make sure to default Start Mode as Tach (please refer to # 5 Remote Start Mode of Programming Option section).**
2. **The Tach wire (Green) of the alarm system shall be connected to the negative of the coil.**

Remote Engine Start for Automatic Transmissions

Just press button (4) 3 seconds to remote start, the LED transmitter will chirp once.

If the remote start has not been successful more than twice, please check up the followings.

- a) The remote start will be activated only under the arm mode.
- b) Hood Open
- c) Trunk Open
- d) Door Open
- e) Foot brake pushed down
- f) Hand brake pulled down

The engine will shut off if the following cases happen to protect your vehicle after the remote start.

- a) Hood Open
- b) Door Open
- c) Trunk Open
- d) Foot brake pushed down
- e) Parking brake released

After remote engine start is succeeded, please follow the following steps to enter the vehicle.

- a) Insert the car key into the ignition then switch it to "On", not Start.

The engine will shut down if apply foot or hand brakes before insert the car key into the ignition and switch "On".

Reservation Mode (Remote Engine Start for Manual Transmissions Only)

For the safety concern, the reservation mode is designed for the manual transmission cars.

The manual transmission shall be defaulted (refer to Car Type of Programming Option Section)

Take the following procedure to set up the reservation mode.

1. After arriving at the destination, remain the ignition on and shift the gear to the neutral position

2. Pull up the parking brake.
3. Remove the key from the ignition. The engine will keep running.
4. Exit the vehicle and close the door after taking Step# 3. Then the engine will shut down and the reservation mode is set up.

Important: Reservation mode must be set up every time before exiting manual transmission cars in order to remote start. Reservation mode will be activated only when the engine has been running over 5 minutes, because of the turbo timer function. If the Turbo Timer function is defaulted as 120 sec. (or 180 sec.), the remote start function can be activated after the turbo timer is off.

Important requirements to activate the reservation mode:

1. The transmission gear must be placed in the **neutral** position.
2. The hand brake must be pulled up.
3. Do not set the reservation mode when people are in vehicles.
4. Do not activate the remote engine start when people are in vehicles
5. The remote engine start will only be activated when the system is armed.

Cancel the Reservation Mode

The reservation mode will be cancelled if the following cases happen.

1. The parking brake released when the engine is running.
 2. Press button (3) for 3 seconds between Step 3 and 4 during defaulting the reservation mode.
 3. The valet mode applied after completing the reservation mode.
- Doors opened after completing the reservation mode without remote engine start.

Factory Alarm Disarm Output

If the vehicle has the factory fitted alarm, Use this wire to override the factory alarm before activate the system.

Important: The factory fitted alarm must have the device of an input wire to receive signals from the system.

Immobilizer By-pass Output:

Nowadays, most of brand new cars have the immobilizer transponder device to enhance the security.

For these kinds of vehicles, The system has the immobilizer by-pas output.

Before apply remote engine start, the system will send constant signals to disable the factory immobilizer. After the remote engine start succeeds, the system will stop sending signals.

After the engine stops running during the reservation mode, the system will stop sending signals to disable the factory immobilizer.

Important: Factory immobilizer device must have an input wire to receive signals from the system.

Optional Programming Features

The system has the additional features that can fit in different types of vehicles and your customized needs.

Read the below programming functions carefully to have the right options programmed for your vehicles and your needs.

- a) Under the disarm mode, open car door, and switch the ignition on-off, on-off, on-off and then stay On.
- b) Siren will chirp 2 seconds and LED will be on for 2 seconds to confirm entering the programming option mode.
- c) To choose the function # 1 - 21, Press button (1) as many as its function # is indicated as listed below within 10 seconds after taking step# b. Each time you press button (1), the single short chirp shall follow up.
For example, if you want to choose # 11 Last Door Arming, press button (1) 11 times.
- d) To confirm the selected mode, Press button (2). Siren will chirp as many as you press button (1) in step # C to show the function you chose.
For example, if you press button (1) 11 times in step # C, 11 single short chirps will follow up.
- e) Now, you can make the selected mode programmed as factory default, default #1 or default #2 by pressing button (1), (2) or (3).

When you press button (1), a single chirp will come out. Button (2) to program Default #1 of each function, two chirps and button (3) to program Default #3 of each function, three chirps to indicate the selected default programmed.

The system will quit the programming option if there is no action made within 10 seconds your previous action taken or the ignition is off.

Programming Option Reset

You can apply the programming Option reset function to reset all options back to the factory defaults. Followings are the procedure.

- a) Under the disarm mode, open car door, and switch the ignition on-off, on-off, on-off and then stay On.
- b) Siren will chirp 2 seconds and LED will be on for 2 seconds to confirm entering the programming option mode.
- c) Within 20 seconds, press button (3) over 3 seconds, all programming options will be back as the factory defaults.
- d) The siren will sound for 2 seconds to quit the system.

Programming Option Table

Item	Function	BTN #1 1 Chirp	BTN #2 2 chirp	BTN #3 3 chirp
01	Chirp Confirmation On/Off	On	Off	
02	Ignition Lock	Disable	Enable	Lock Only
03	Door Lock Time	1 Pulse	2 Pulse	4 Sec.
04	Turbo Timer	Disable	120 Sec.	180 Sec.
05	Remote Start Mode	Alternator	TACH	
06	Crank Time	0.6 Sec.	0.8 Sec.	1 Sec.
07	Engine Running Time	10 Min.	20 Min.	
08	Timer Start	3 Hour	6 Hour	12 Hour
09	Siren/Horn	Siren	Horn	Siren off
10	Last Door Arming	Disable	Enable	
11	Passive Lock	Disable	Enable	
12	Shock Sensor Bypass	Disable	Enable	
13	Alarm Time	30 sec.	60 sec.	
14	Dome Light Delay	Disable	15 sec.	40 sec.
15	Auto Rearm	Disable	Enable	
16	Anti-Hijacking Delay Time	15 Sec.	60 Sec.	
17	Anti-Hijacking by Remote	Disable	Enable	
18	Anti-Hijacking by Door	Disable	Enable	
19	Car Type	Automatic	Manual	
20	Start Enable	Arm Mode	Normal	
21	Remote Start with Door Lock/Unlock	Disable	Enable	

Note: The factory defaults are pre-programmed as per the third column (gray color box).

Chirp Confirmation On/Off

Steps to default Chirp Confirmation Off:

1. Under the disarm mode, open and hold the door, and switch the ignition on/off three times, and then switch to On.
2. Siren will chirp 2 seconds to confirm entering into the programming option mode.
3. Press button (1) once to select #1 Chirp Confirmation Off, the siren will chirp once.
4. Then press button (2) once to confirm this mode, one single chirp will follow up.
5. Press button (2) once again to default Chirp Confirmation Off, the siren will chirp twice to confirm.

When default Chirp Confirmation as off, the siren will not chirp when press button to arm or disarm.

Ignition lock

Steps to default Ignition Lock Enable:

Take the same procedure as above.

If Ignition lock Enabled,

The doors will be automatically locked 15 seconds after the ignition is on.

But, the doors will be not locked if opened within 15 seconds the ignition is on.

The doors will be unlocked immediately upon the ignition is turned off.

When the ignition is on, press button (1) to door lock or button (2) to unlock.

Door Lock Time

Steps to default Door Lock Time 1, 2 Pulse or 4 seconds:

Take the same procedure as above.

- a. When default Door Lock Time as 1 pulse
Door lock/unlock will be on for 1 second.
- b. When default Door Lock Time as 2 pulse
Door lock will be on for 1 second, door unlock will be on for 1 second and 2 pulse.
- c. When default Door Lock Time as 4 seconds
Door lock/unlock will be on for 4 seconds.

Turbo Timer

Take the same procedure as above.

When this feature is defaulted as enable (Select 120 or 180 seconds), the engine will be still running for 120(180) seconds after turning the ignition off in order to protect the engine life.

When default Turbo Timer as 120 or 180 seconds,

- a. If the engine doesn't run over 5 minutes, the turbo timer will not function.
- b. When the engine runs over 5 minutes, pull up the handbrake, then switch the ignition off, the engine will still run for another 120 or 180 seconds (depends on the default) and the system is still disarmed.
- c. During the period (120/180 seconds) of turbo timer, press button (1) once, parking lights will flash once and the siren chirp once, the system is armed. During this period, the shock sensor will be bypassed. And the shock sensor will function normally until the engine is shut down.

Remote Start Mode

Steps to default Remote Start Mode as Alternator or Tach:

Take the same procedure as above.

If Tach Sensing (RPM) programmed,

- a) Perform the tach learning at first time before remote start.
- b) Make sure the Tach wire(Green) of the alarm system shall be connected to the negative of the coil as shown in wiring diagram.

Crank Time

Steps to default Crank Time as 0.6, 0.8 or 1 second:

Take the same procedure as above.

Normally, the old and diesel vehicles need longer crank time to start engine.

However, if the engine doesn't start smoothly, please default the crank time longer.

Engine Running Time

Steps to default Start Running Time as 10 minutes or 20 minutes:

Take the same procedure as above.

Depending on the defaulted engine running time, the engine will run 10 or 20 minutes and shut down automatically.

Timer Start Mode

Steps to default 24-Hour Engine Start Mode as 3 hours, 6 hours or 12 hours:

Take the same procedure as above.

It is the most convenient feature to use in the cold winter season.

- a) Press button (1) and (3) once at the same time to activate Timer Start Mode, then siren will chirp once, lights flash once to confirm. Depending on the defaulted value, the engine will automatically start every 3, 6 or 12 hours in the 24-hour period.
- b) Press button (1) and (3) once again at the same time to deactivate this mode. Then siren will chirp twice and the parking lights flash twice.

Followings are 3 situations that the timer start mode will be cancelled.

- a) When remote engine start.
- b) Doors are opened.
- c) The system is triggered.

Siren, Horn or No Siren

Steps to default Siren or Horn Output:

Take the same procedure as above.

- a) If horn selected, one extra relay shall be added. If horn selected and defaulted, it has 0.5 second interval between each horn.
- b) If siren output selected, the system will send constant outputs.
- c) If no siren selected, the siren will not sound under any circumstance.

Dome Light Delay

Steps to default Disable, 15 Seconds or 40 seconds:

Take the same procedure as above.

The central locking system has the various dome light delay time according to different makers, brands or years of the vehicle. Program the right default depending on the dome light delay time the vehicle has.

Or just default the dome light delay disable and connect the instant wire of the vehicle to override the dome light delay time the vehicle has.

If the dome light delay programmed as disable,
All sensors will be activated 3 seconds after the system is armed.

If the dome light delay programmed as 15 seconds,
All sensors such as door, hood, trunk and shock except for ignition will be activated 15 seconds after the system is armed.

If the dome light delay programmed as 40 seconds,
All sensors such as door, hood, trunk and shock except for ignition will be activated 40 seconds after the system is armed.

Last Door Arming

Steps to default Disable or Enable:

Take the same procedure as above.

If Last Door Arming Enabled,
Upon the doors are closed, LED starts to flash rapidly. Then siren will chirp once, the parking lights flash once, Starter kill on and armed automatically 30 seconds after the doors closed.

If Passive Lock enabled, the doors will be locked. Whereas, the doors will not be locked.

Passive Lock

Steps to default Passive Lock Enable:

Take the same procedure as above.

If Passive Lock enabled,
Upon the doors are closed, LED starts to flash rapidly. Then siren will chirp once, the parking lights flash once, starter kill on and doors locked automatically 30 seconds after the doors closed.

Shock Sensor Bypass

Steps to default Passive Lock Enable:

Take the same procedure as above.

If Shock Sensor Bypass enable,

- a) The system will bypass the 1st-stage shock sensor trigger (warn-away) if there are 3 continuous warn-away triggers. The warn-away trigger will be activated again after the system is re-armed.
- b) After the system is armed or mute-armed, press button (1) once again within 2 seconds, the siren will chirp once, the shock sensor functions will be bypassed until the system is re-armed.

Alarm Time

Steps to default Alarm Time as 30 or 60 seconds:

Take the same procedure as above.

Auto Re-Arm

Steps to default Auto Re-Arm enable:

Take the same procedure as above.

If Auto Re-Arm Enabled, the system will be automatically armed 30 seconds after the system is disarmed.

Anti-Hijacking Delay Time

Steps to default Anti-Hijacking Delay Time as 15 or 60 seconds:

Take the same procedure as above.

The anti-hijacking delay time will be activated only when Anti-Hijacking by Remote or Anti-Hijacking by Door is defaulted as enable. Please refer to the followings.

Anti-Hijacking by Remote

Steps to default Anti-Hijacking by Remote as enable or disable:

Take the same procedure as above.

If Anti-Hijacking by Remote enable

- a) When the system is disarmed and the ignition is on, press button (3) once, the anti-hijacking function is activated. The LED will flash rapidly, 15 (or 60) seconds later (depending on the defaults of Anti-Hijacking Delay Time), parking lights will flash 10 times and siren will chirp 10 times. Then the system will be alarming, the start-kill is on, parking lights will keep flashing.
- b) After the anti-hijacking function is activated, if switch the ignition off during the Anti-Hijacking Delay Time (15 or 60 seconds), after the delay time, the siren will chirp once, parking lights flash once, doors will lock, start-kill is on, LED flashes slowly and the system enter into the arm mode.
- c) If switch the ignition off during the period of 10 flashes of parking lights and 10 chirps of the siren, after the period, the siren will chirp once, parking lights flash once, doors will lock, start-kill is on, LED flashes slowly and the system enter into the arm mode.
- d) During the system is alarming, if switch the ignition off, after the alarm cycle (30 or 60 seconds as one cycle), the siren will chirp once, parking lights flash once, doors will lock, start-kill is on, LED flashes slowly and the system enter into the arm mode.
- e) After the system is alarming, drivers have to apply the emergence override mode to deactivate the anti-hijacking function. Drivers can't apply the valet mode when the anti-hijacking is activated.

Anti-Hijacking by Door

Steps to default Anti-Hijacking by Door as enable or disable:

Take the same procedure as above.

If Anti-Hijacking by Remote enable

- a) When the system is disarmed and the ignition is on, if car doors are opened, the anti-hijacking function is activated. The LED will flash rapidly, 15 (or 60) seconds later (depending on the defaults of Anti-Hijacking Delay Time), parking lights will flash 10 times and siren will chirp 10 times. Then the system will be alarming, the start-kill is on, parking lights will keep flashing.
- b) After the anti-hijacking function is activated, if switch the ignition off during the Anti-Hijacking Delay Time (15 or 60 seconds), after the delay time, the siren will chirp once, parking lights flash once, doors will lock, start-kill is on, LED flashes slowly and the system enter into the arm mode.
- c) If switch the ignition off during the period of 10 flashes of parking lights and 10 chirps of the siren, after the period, the siren will chirp once, parking lights flash once, doors will lock, start-kill is on, LED flashes slowly and the system enter into the arm mode.
- d) During the system is alarming, if switch the ignition off, after the alarm cycle (30 or 60 seconds as one cycle), the siren will chirp once, parking lights flash once, doors will lock, start-kill is on, LED flashes slowly and the system enter into the arm mode.
- e) After the system is alarming, drivers have to apply the emergence override mode to deactivate the anti-hijacking function. Drivers can't apply the valet mode when the anti-hijacking is activated.

Car Type

Steps to default Car Type as Automatic or Manual:

Take the same procedure as above.

It is not a user option to program. Consult with your installation center.

Remote Start Enable

Steps to default Start Enable as Arm Mode or Normal:

Take the same procedure as above.

- a) When default Start Enable as Arm Mode, the remote engine start function can be activated when the system is armed.
- b) When default Start Enable as Normal, the remote engine start function can be activated either the system is armed or disarmed.
- c) After the remote engine start is successful, drivers can use transmitter to arm or disarm the system. After the engine stops running, the system will be back to the status before applying the remote engine start.

Remote Start with Door Lock/Unlock

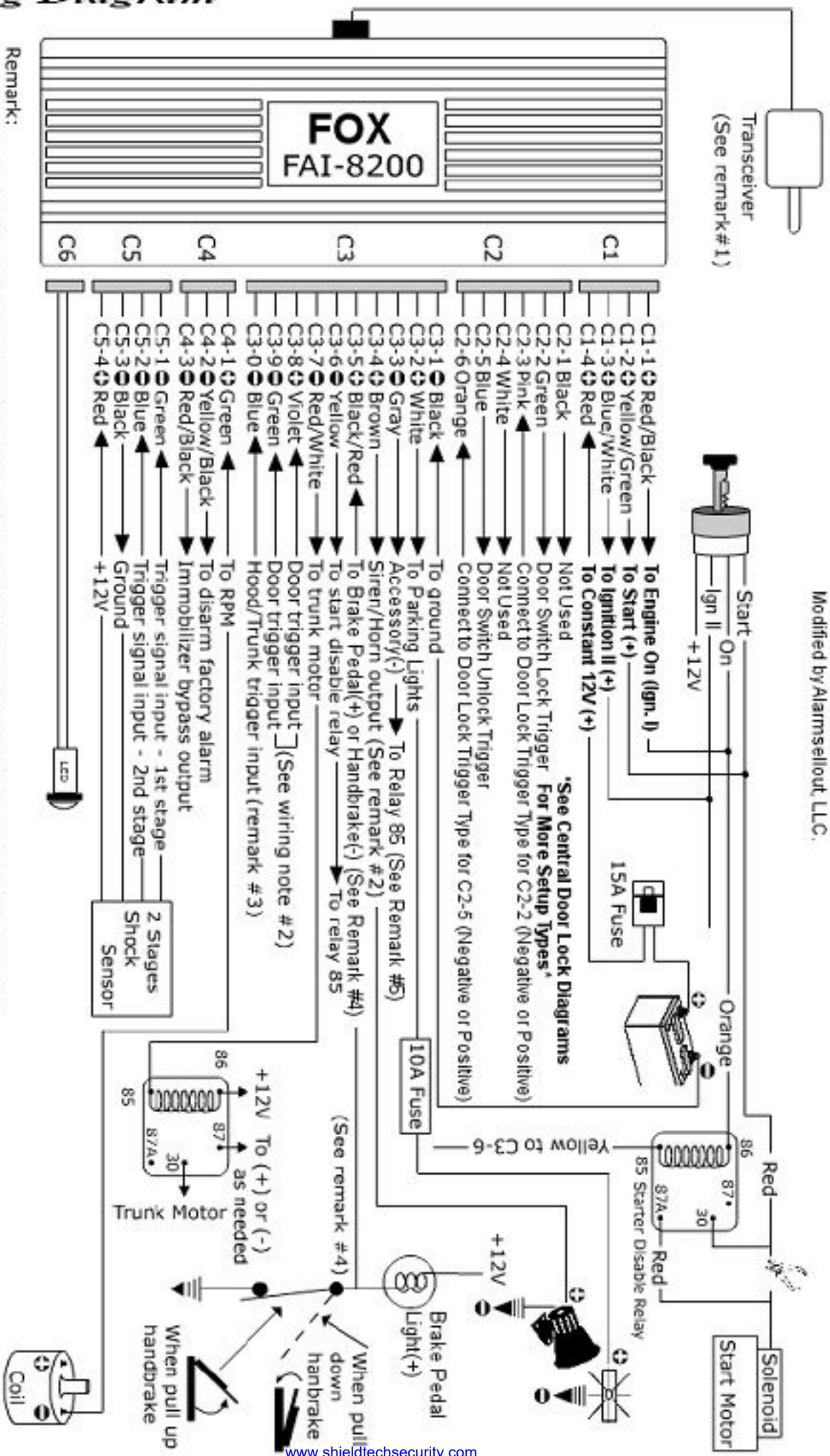
Steps to default Remote Start with Door Lock/Unlock as Disable or Enable:

Take the same procedure as above.

- a) When default Disable, when apply the remote engine start function, the system will not automatically lock or unlock doors. After the engine stops running, the system will not automatically lock or unlock doors after it is back to the arm or disarm mode.
- b) When default Enable, when apply the remote engine start function, the system will automatically lock or unlock doors when the system is armed or disarmed. After the engine stops running, the system will automatically lock or unlock doors after it is back to the arm or disarm mode.

FAI-8200 2-Way Paging Alarm Wiring Diagram

Modified by Alarmseilout, LLC.



Wiring Diagram

- Remark:
- #1: Please get the transceiver away from any metal parts and also the shock sensor when installation
 - #2: If connect to horn, please add one relay
 - #3: Connect C3-0 to trunk lamp and hood parallel. Using a pin-switch for hood trigger.
 - #4: Connect C3-5 to Brake Pedal Wire(+) if Automatic Trans. ... Connect to Ground(-) on Hand Brake if Manual Trans.
 - #5: If your vehicle has an Accessory Wire that operates your engine or A/C, this wire must be connected to Relay #85(-)

Wiring Note

FAI-8200 Wiring Note Central door Lock Wiring Diagram

Diagram #A
Original built-in central power lock

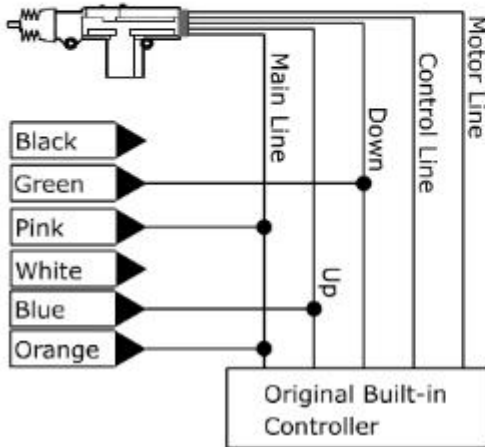


Diagram #B
Original built-in central power lock & electric power lock switch were installed
For example: CHRYSLER

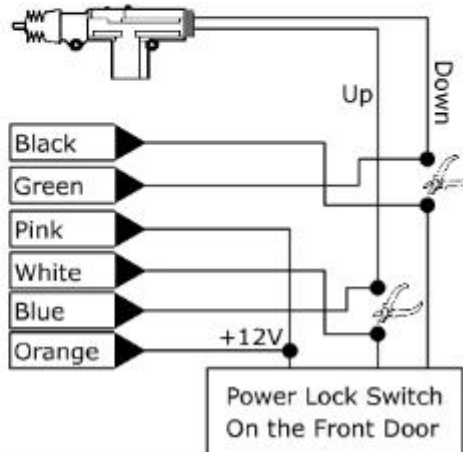


Diagram #C
Original built-in central power lock & only a switch existed inside of the front door.
A motor and the control level were required

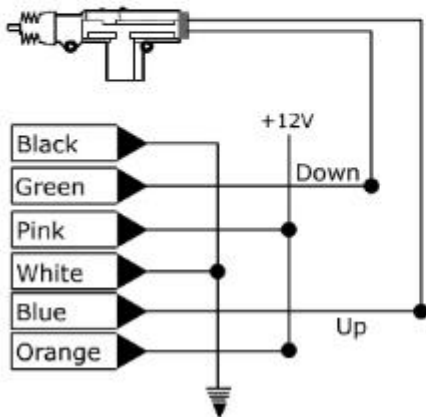
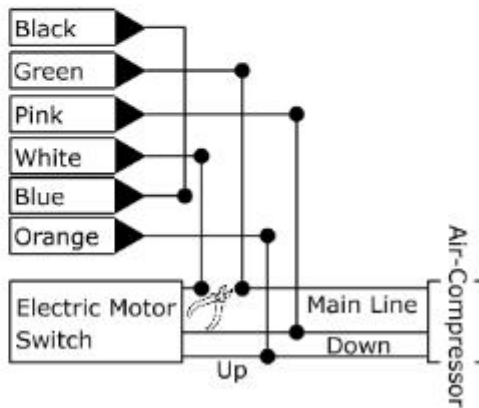


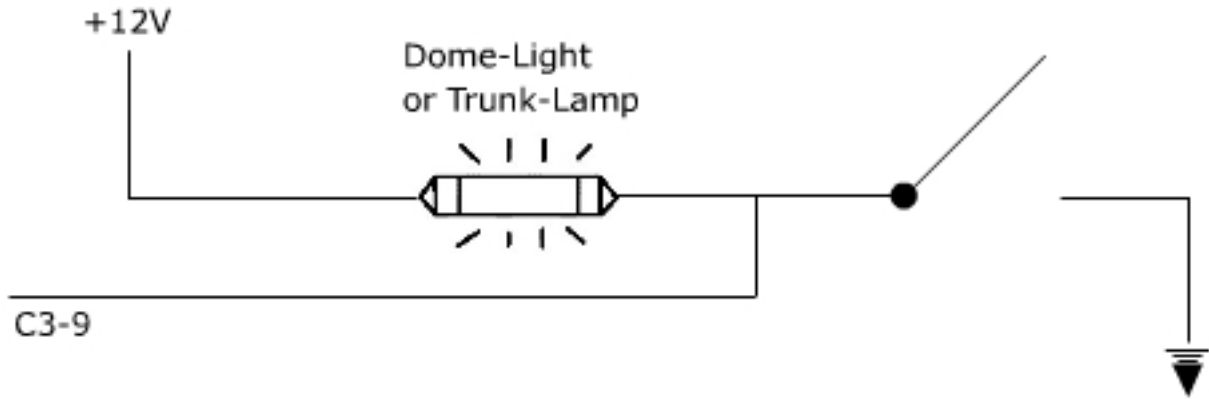
Diagram #D
Original built-in power lock & using compressor to control the switch.
For example: BENZ, AUDI
(Note: Active time 3.5 sec.)



FAI-8200 Wiring Note #2

Connect the Door-trigger wire to Dome-light or Trunk-trigger wire to Trunk-lamp as follows:

Negative Trigger: When the vehicle's Dome-Light is Negative Trigger



Positive Trigger: When the vehicle's Dome-Light or Trunk-Lamp is Positive Trigger

