

Honeywell Vista 50P

Wiring M2M's MiNi/MQ Series Cellular Communicators and Programming the Panel

CAUTION:

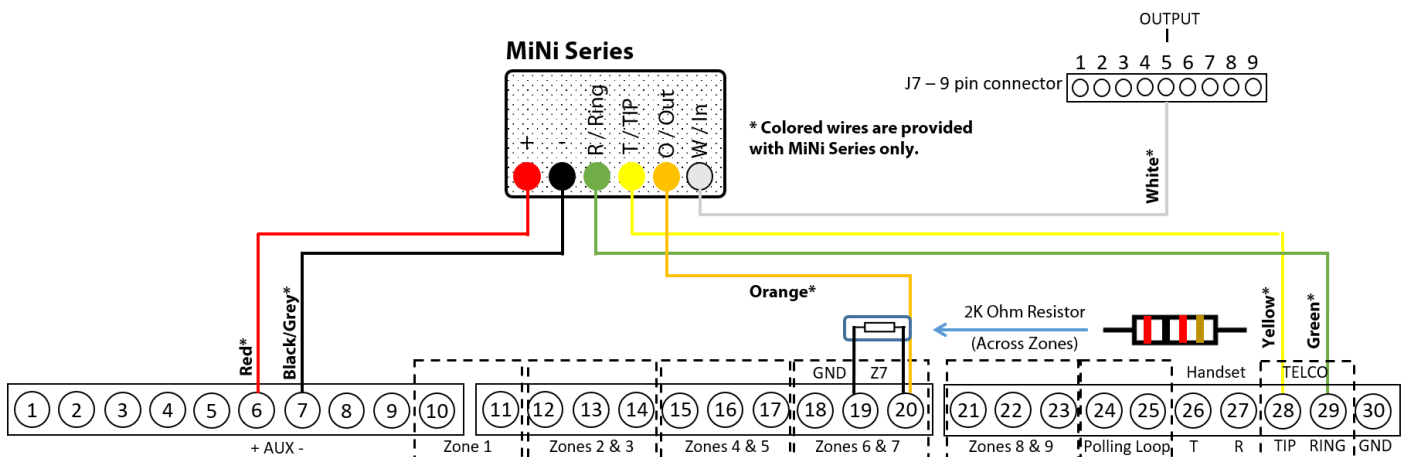
- It is advised that an experienced alarm installer programs the panel as further programming may be required to ensure proper performance and use of the full functionality.
- Do not route any wiring over circuit board.
- Full panel testing, and signal confirmation, must be completed by the installer.

NEW FEATURE: For MiNi/MQ Series Communicators, the status of the panel can be retrieved not only from the status PGM but now also from the Open/Close reports from the dialer. Therefore, wiring the white wire and programming of the status PGM of the panel is optional.

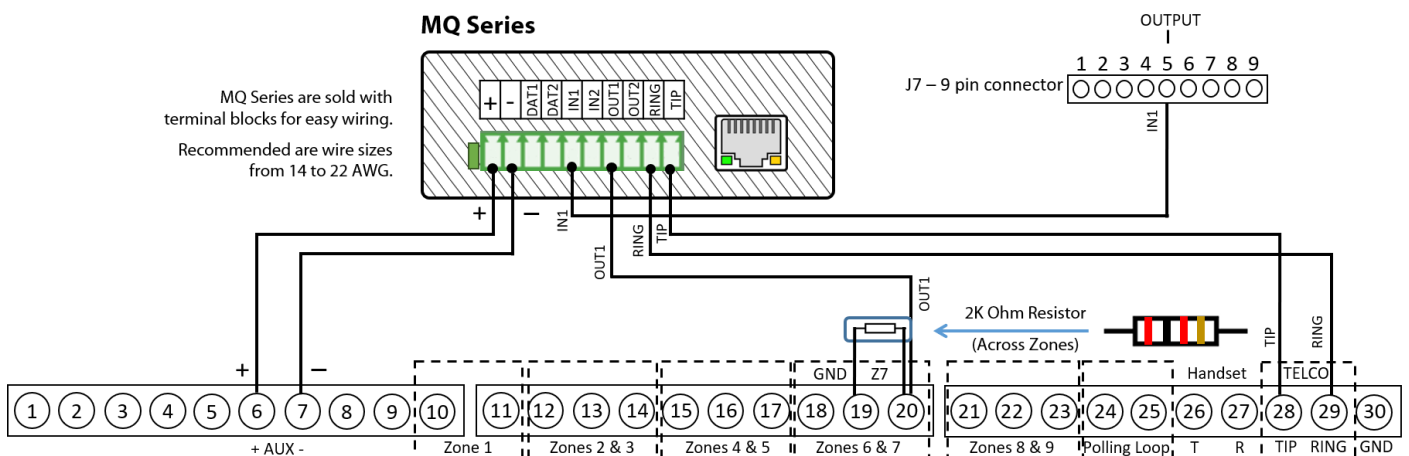
Wiring the white wire is necessary only if the Open/Close reporting is disabled.

IMPORTANT NOTE: The Open/Close reporting needs to be enabled during the initial pairing procedure.

Wiring the MiNi Series communicators to Honeywell Vista 50P



Wiring the MQ Series communicators to Honeywell Vista 50P



Programming the Honeywell Vista 50P Alarm Panel via the Keypad

Enable Contact ID reporting:

Keypad Display	Keypad Entry	Action Description
Disarmed	4140,8,00	To enter programming mode.
Program mode	*30, 1	To select Touch tone for dialing method.
PABX	*32	To go to "Primary subscriber Account #".
Prim.Subs. Acct#	01, 02, 03, 04	Enter desired account number (in HEX). 1234 is just an example.
Primary Phone	123456, *	Enter desired phone number (123456 is an example). Press * to save.
Enter fill field	*45	To go to "Primary format".
Primary format	1	1 is the value for ContactID.
Low Speed Format	*81, 01, 01, *	To enable Open/Close reports.
Enter fill field	*99	To exit programming mode.

Enable Keyswitch Zone and Status Output:

Keypad Display	Keypad Entry	Action Description
Disarmed	4140,8,00	To enter programming mode.
Program mode	*15, 1	To assign keyswitch to partition 1 (zone 07).
Confirmation of arming ding	*40, 1	To enable Open/Close reports for Keyswitch.
Normally closed or EOLR	*94, *94	Press *94 until "200" is shown in the lower right corner.
Alt Program Mode	*20, 1	To configure pin 5 on J7 connector to follow Keyswitch RED behavior.
Enter fill field	*99	Press *99 a couple of times until you exit programming mode.