

Honeywell Vista 10SE

Wiring M2M's MiNi/MQ Series Cellular Communicators and Programming the Panel

CAUTION:

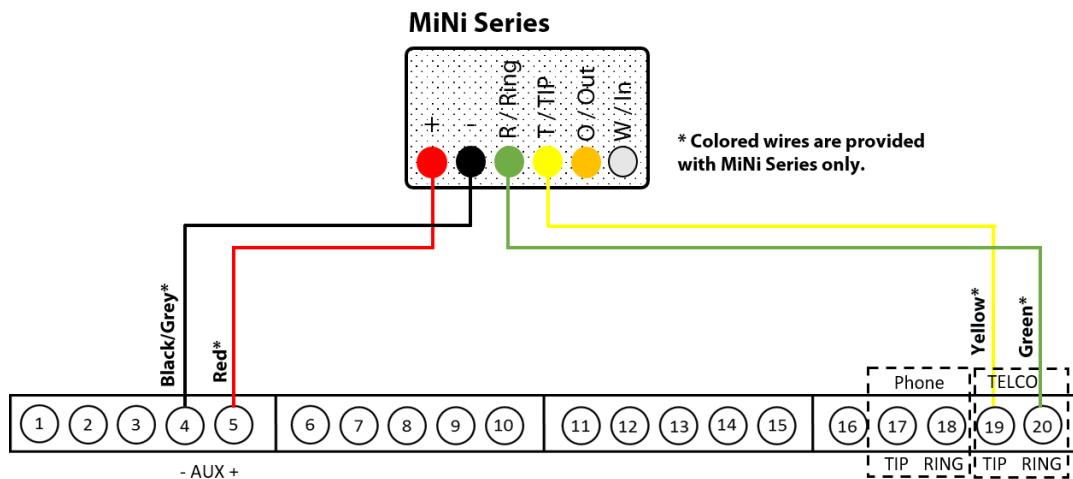
- It is advised that an experienced alarm installer programs the panel as further programming may be required to ensure proper performance and use of the full functionality.
- Do not route any wiring over circuit board.
- Full panel testing, and signal confirmation, must be completed by the installer.

NEW FEATURE: For MiNi/MQ Series Communicators, the status of the panel can be retrieved not only from the status PGM but now also from the Open/Close reports from the dialer. Therefore, wiring the white wire and programming of the status PGM of the panel is optional.

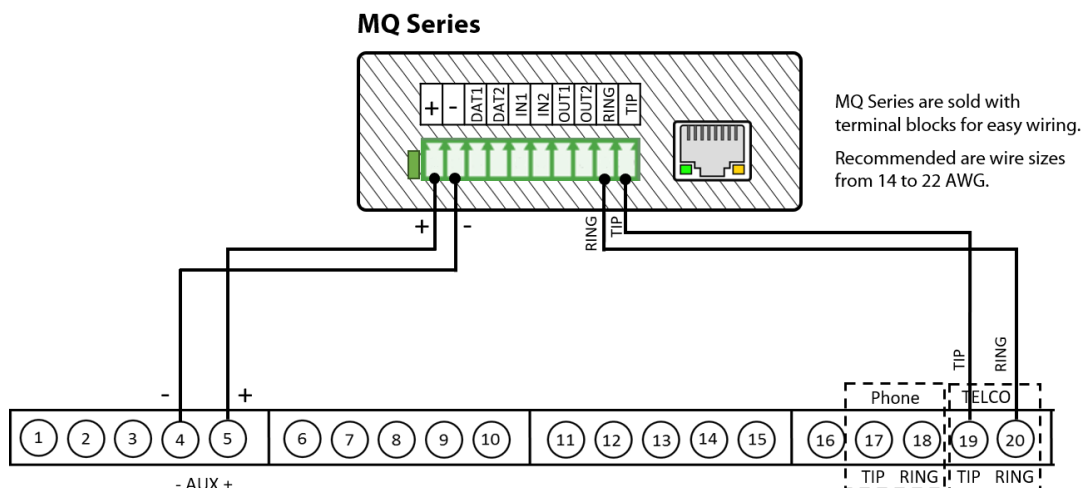
Wiring the white wire is necessary only if the Open/Close reporting is disabled.

IMPORTANT NOTE: The Open/Close reporting needs to be enabled during the initial pairing procedure.

Wiring the MiNi Series communicators to Honeywell Vista 10SE



Wiring the MQ Series communicators to Honeywell Vista 10SE



Programming the Honeywell Vista 10SE Alarm Panel via the Keypad

Enable Contact ID reporting:

Keypad Display	Keypad Entry	Action Description
Ready to Arm	4111 800	Enter installer code 4111, followed by 800 to enter Programming mode.
Installer code 20	*41	To go to Primary phone number menu.
Prim. Phone	123456*	Enter actual or imaginary phone to report to (123456 is an example), * to set.
Field?	43	To go to subscriber account number.
Sub ID	1234	Set the account number you will receive events from (1234 is an example).
Phone Sys 45	1	Press 1 to select tone dialing.
Rep format 46	7	Press 7 to select Ademco Contact ID reporting.
Split/Dual 47	0	Press 0 to disable Split/Dual reporting.
15 Sec Dial Dly 48	*65	To go to Open/Exit Alarm reporting code.
Open/Exit Rpt 65	11	Enter a number different from 0 to enable.
Away/Stay Rpt 66	11	Enter a number different from 0 to enable.
RF LB Rpt 67	*70	To go to Alarm Restore/Open code.
Alm. Res. Rpt 70	1	Enter 1 to enable.
Trb Res Rpt 71	*99	To exit programming mode.