

# Honeywell FA162

## Wiring M2M's MiNi/MQ Series Cellular Communicators and Programming the Panel

**CAUTION:**

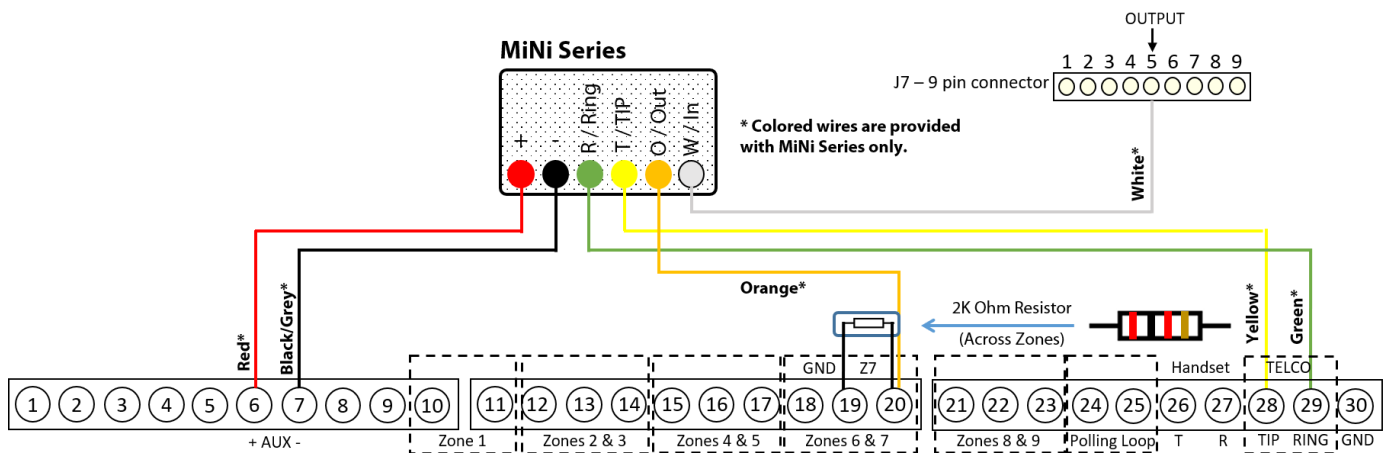
- It is advised that an experienced alarm installer programs the panel as further programming may be required to ensure proper performance and use of the full functionality.
- Do not route any wiring over circuit board.
- Full panel testing, and signal confirmation, must be completed by the installer.

**NEW FEATURE:** For MiNi/MQ Series Communicators, the status of the panel can be retrieved not only from the status PGM but now also from the Open/Close reports from the dialer. Therefore, wiring the white wire and programming of the status PGM of the panel is optional.

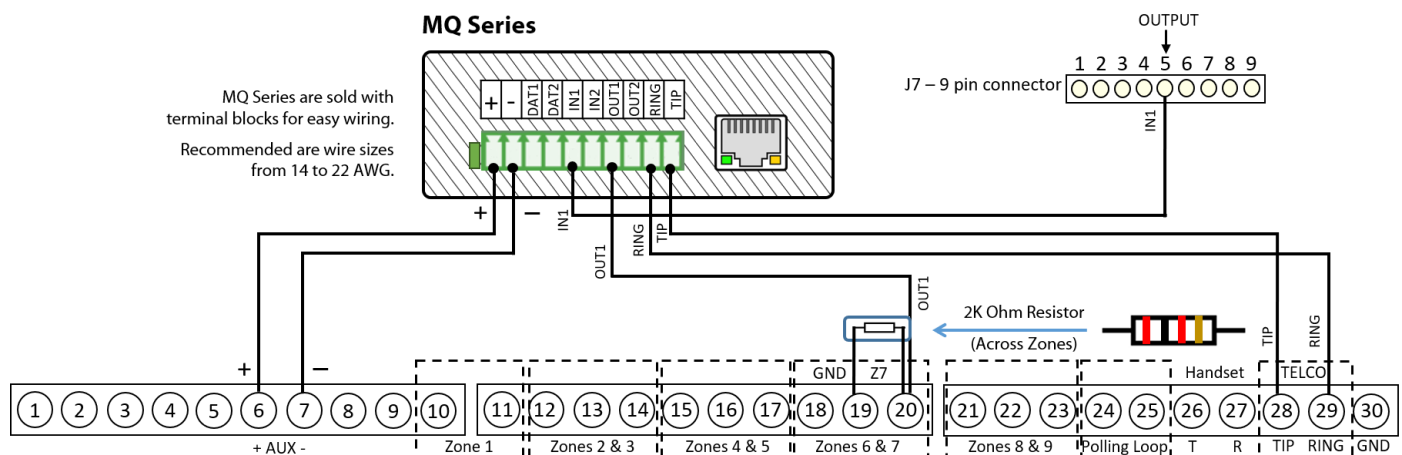
Wiring the white wire is necessary only if the Open/Close reporting is disabled.

**IMPORTANT NOTE:** The Open/Close reporting needs to be enabled during the initial pairing procedure.

### Wiring the MiNi Series communicators to Honeywell FA162



### Wiring the MQ Series communicators to Honeywell FA162



## Programming the Honeywell FA162 Alarm Panel via the Keypad

Enable Contact ID reporting:

| Keypad Display | Keypad Entry | Action Description                                   |
|----------------|--------------|--|
|                | 4112,8,00    | To enter the programming menu.                       |
| 20             | *41          | To go to primary phone setting.                      |
|                | 123456*      | Enter phone number (123456 is an example) * to save. |
|                | *43          | To go to primary account number.                     |
|                | 1234         | Enter account number (1234 is an example) * to save. |
|                | *47          | To go to phone system menu.                          |
|                | 1            | Press 1 to select tone dialing.                      |
|                | 48           | To choose Report Format.                             |
|                | 77           | To select Ademco Contact ID reporting.               |
|                | *65          | To go to Open Report code.                           |
|                | 1            | To enable Open report code.                          |
|                | *66          | To Arm Away/Stay Rpt Code.                           |
|                | 11           | To enable Away/Stay ARM reporting code.              |
|                | *70          | To go to Alarm/Restore reporting code.               |
|                | 1            | To enable alarm/Restore reporting code.              |
|                | *99          | To exit and save.                                    |