

DSC PC1616 / 1832 / 1864

Wiring M2M's MiNi/MQ Series Cellular Communicators and Programming the Panel

CAUTION:

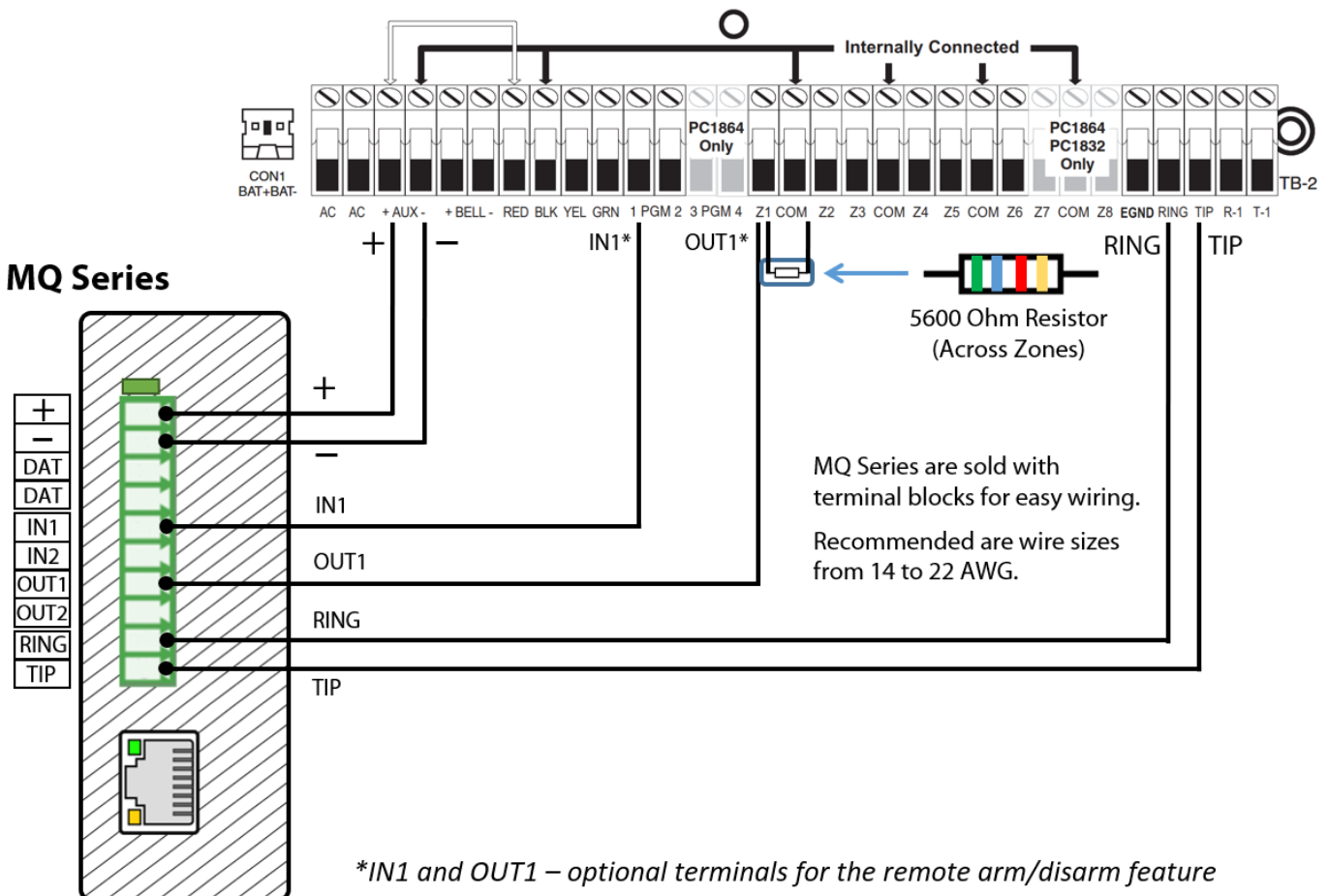
- It is advised that an experienced alarm installer programs the panel as further programming may be required to ensure proper performance and use of the full functionality.
- Do not route any wiring over circuit board.
- Full panel testing, and signal confirmation, must be completed by the installer.

NEW FEATURE: For MiNi/MQ Series Communicators, the status of the panel can be retrieved not only from the status PGM but now also from the Open/Close reports from the dialer. Therefore, wiring the white wire and programming of the status PGM of the panel is optional.

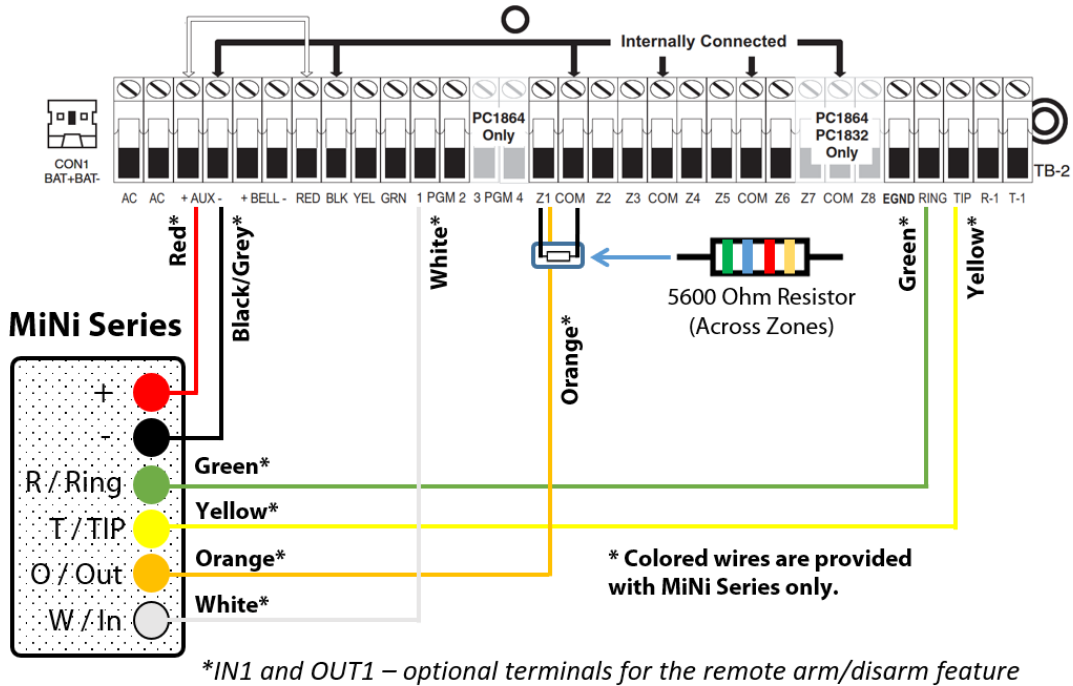
Wiring the white wire is necessary only if the Open/Close reporting is disabled.

IMPORTANT NOTE: The Open/Close reporting needs to be enabled during the initial pairing procedure.

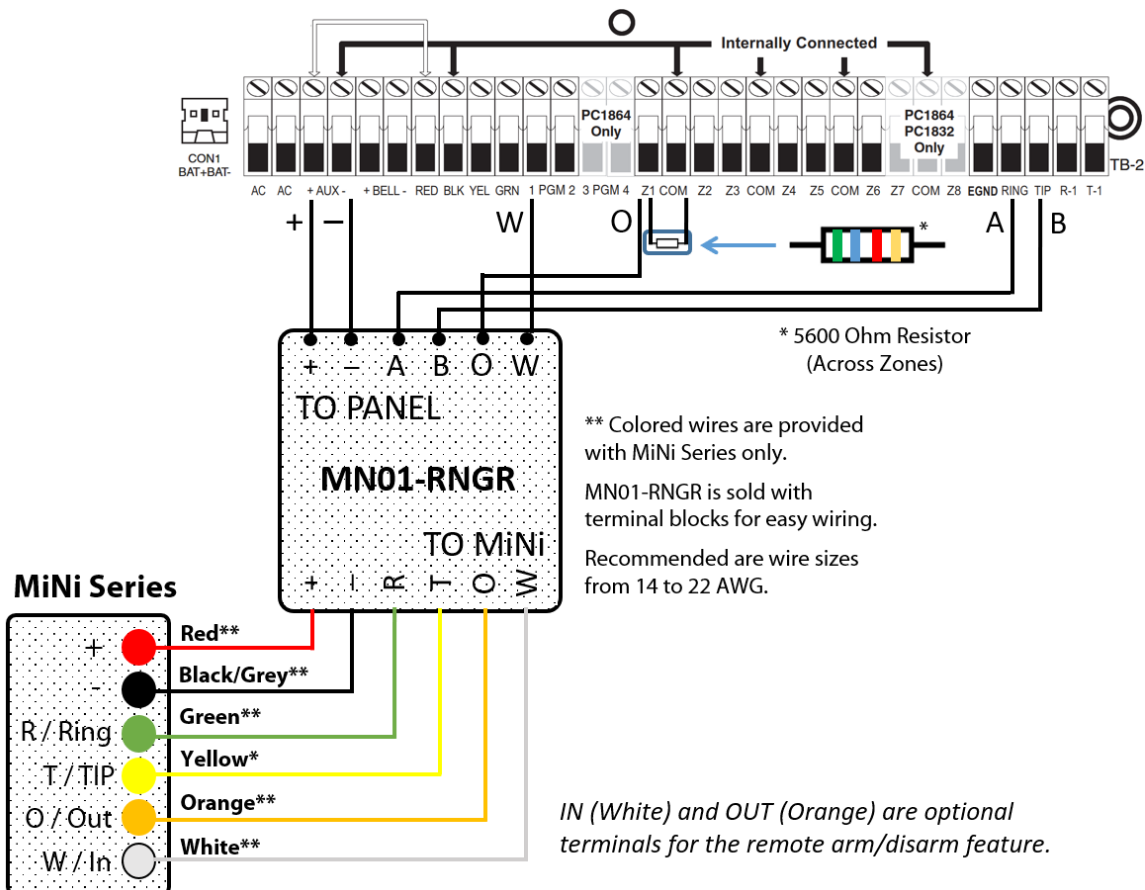
Wiring the MQ Series communicators to DSC PC1616 / 1832 / 1864



Wiring the MiNi Series communicators to DSC PC1616 / 1832 / 1864



Wiring the MiNi Series with Ringer MN01-RNGR to DSC PC1616 / 1832 / 1864 for UDL



Programming the DSC PC1616 / 1832 / 1864 Alarm Panel via the Keypad

Enable Contact ID reporting:

LED indication on Keypad	Keypad Entry	Action Description (usually those keypads don't have display – just LEDs)
Armed: steady Red	*85555	To enter in Programming mode.
Ready: steady Green	301	To enter menu "First phone number".
Ready: steady Green	123456*6* *#	Enter actual or non-existing number (any number will do, "123456" is an example) followed by *6* (F in hex).
Armed: steady Red	310	To enter menu "System account code".
Ready: steady Green	1234*66	Enter 4-digit account number to receive the events from ("1234" is an example) and close it with *66 in hex.
Armed: steady Red	311	To enter menu "Partition 1 account code"
Ready: steady Green	1234	Enter 4-digit account number to receive the events from ("1234" is an example).
Armed: steady Red	350	Program Alarm Format.
Ready: steady Green	03#	03 is for Contact ID.
Armed: steady Red	351	To program phone 1 call direction.
Ready: steady Green	1#	Toggle 1 to ON for alarms.
Armed: steady Red	367	Open/Close Communicator Cell directions for partition 1 (if you have more partitions, repeat this and the next step for 368,369, 370 for partition 2,3,4).
Ready: steady Green	1#	Toggle 1 to ON to enable Open/Close reports (if 1 on the keypad is lit – then it's ON).
Armed: steady Red	380	Enter First Communication Options.
Ready: steady Green	1#	Toggle 1 to ON to enable communications (options 3 and 4 must be OFF).
Armed: steady Red	381	Enter Second Communicator Options.
Ready: steady Green	7#	Toggle 7 to OFF. The system automatically generates all reporting codes transmitted. To manually program the reporting codes in the menu 381, enable option 7 to ON and then set the desired reporting codes in menus 320 to 348.
Ready: steady Green	#	Exit Programming mode.

Program Key-switch zone and output:

LED indication on Keypad	Keypad Entry	Action description
Armed: steady Red	*85555	To enter in Programming mode.
Ready: steady Green	202	To enter Partition zone assignments.
Ready: steady Green	1#	Turn ON (the corresponding LED will be lit) only the zones that you intend to use – the rest must be OFF (LEDs are dim) – in our case LEDs 2-7 will be OFF.
Armed: steady Red	001	To configure Zone 1.
Ready: steady Green	22#	Enter 22 to program zone Type Keyswitch.
Armed: steady Red	013	To program EOL zones.
Ready: steady Green	1#	1 must be OFF to set the zones to end-of-line wiring configuration.
Armed: steady Red	009	To program Output 1.
Ready: steady Green	05#	Output will activate/deactivate upon arm/disarm for selected partitions.
Ready: steady Green	#	Exit Programming mode.

Programming the DSC PC1616 / 1832 / 1864 Alarm Panel via the Keypad for remote Upload/Download (UDL)

Program the Panel for Upload/Download (UDL):

Display	Keypad Entry	Action Description
Date / Time	*8 + Inst. Code	Enter programming menu. Default installer code is "5555."
Enter section	401	First downloading options toggle menu.
Toggle option	1,3,6#	1 and 3 should be disabled. 6 should be enabled.
Enter section	403	DLS downloading access code. Default for Impassa is "905700".
Enter Hex Data	161600#	Set this field's value to its default (for DSC1832->183200 and for DSC1864->186400).
Enter section	404	Panel ID code. Default for Impassa is "905700".
Enter Hex Data	161600#	Set this field's value to its default (for DSC1832->183200 and for DSC1864->186400).
Enter section	405	Double call timer address.
Enter Data	000#	Disable double call.
Enter section	406	Number of rings address.
Enter Data	001	Set the panel to answer on the first ring.
	#	Exit Programming mode.