

Paradox SP1738

Wiring M2M's MiNi/MQ Series Cellular Communicators and Programming the Panel

CAUTION:

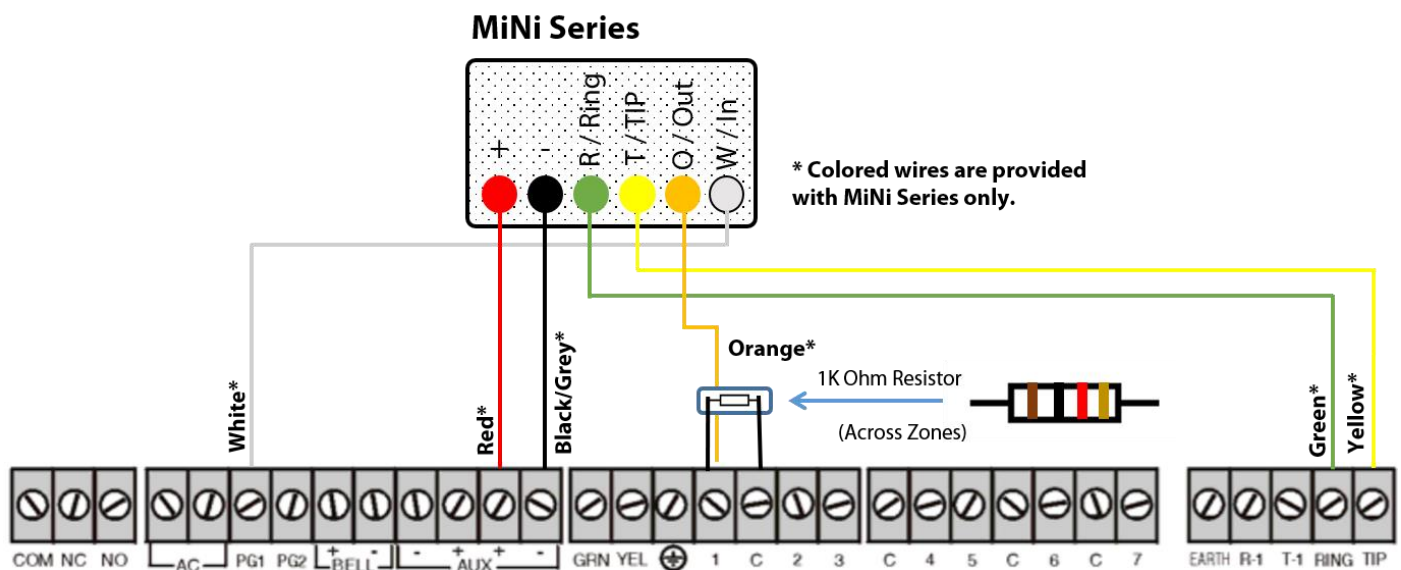
- It is advised that an experienced alarm installer programs the panel as further programming may be required to ensure proper performance and use of the full functionality.
- Do not route any wiring over circuit board.
- Full panel testing, and signal confirmation, must be completed by the installer.

NEW FEATURE: For MiNi/MQ Series Communicators, the status of the panel can be retrieved not only from the status PGM but now also from the Open/Close reports from the dialer. Therefore, wiring the white wire and programming of the status PGM of the panel is optional.

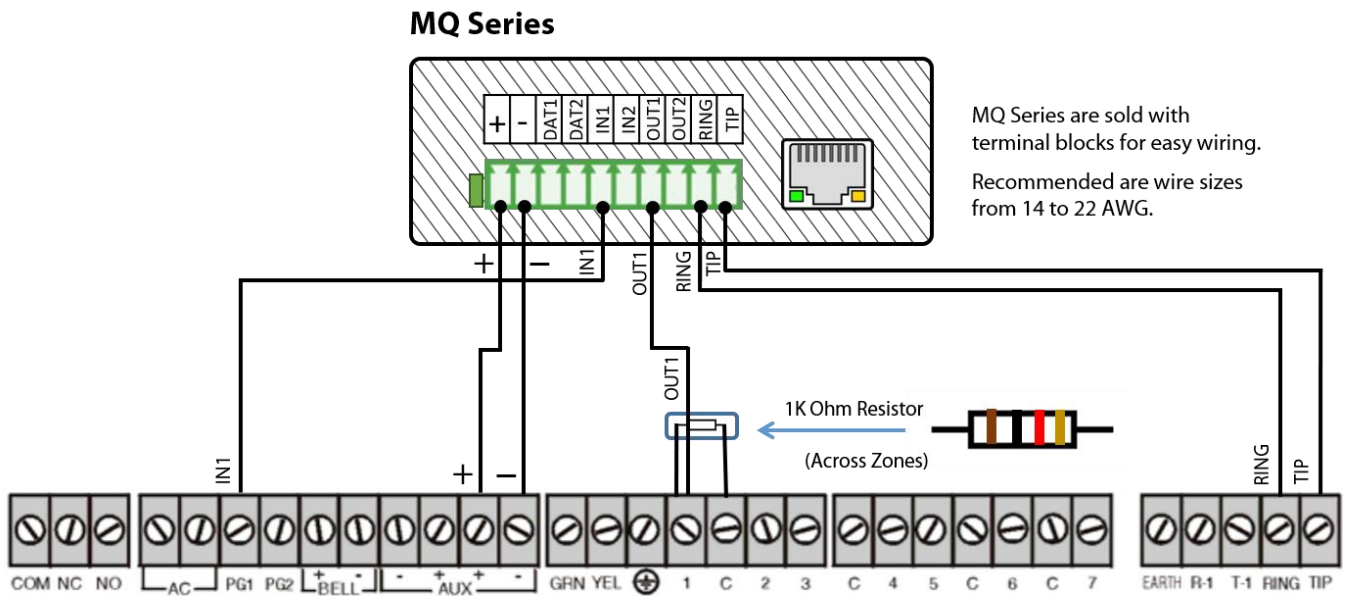
Wiring the white wire is necessary only if the Open/Close reporting is disabled.

IMPORTANT NOTE: The Open/Close reporting needs to be enabled during the initial pairing procedure.

Wiring the MiNi Series communicators to Paradox SP1738



Wiring the MQ Series communicators to Paradox SP1738



Programming the Paradox SP1738 Alarm Panel via the Keypad

Enable Contact ID reporting:

LED indication on Keypad	Keypad Entry	Action Description
	Enter, 0000	To enter programming mode
Enter blinks	131	To go to Reporting Options toggle menu
Enter steady	1	Press 1 until it's OFF/Dim to enable Always Report Disarming
Enter steady	Enter, Clear	To go back to the main programming menu
Enter blinks	135	To go to Dialer Options 1 toggle menu
Enter steady	1, 2, 3, 4, 5	Press the respective buttons until 1 and 2 are OFF/Dim (Disable TLM), 3 is ON/Lit (Enable dialer reporting), 4 is ON/Lit (Set dialing to DTMF), 5 is ON/Lit (USA pulse ratio 1:1,5)
Enter steady	Enter, Clear	To go back to the main programming menu
Enter blinks	136	To go to Dialer Options 2 toggle menu
Enter steady	3	Press 3 until it's ON/Lit to enable automatic Contact ID reporting codes
Enter steady	Enter, Clear	To go back to the main programming menu
Enter blinks	140	To go to Reporting format
Enter steady	5, 5	To select Ademco Contact ID reporting for the 1 st and 2 nd Phone Numbers
Enter blinks	143	To go to Partition 1 account number
Enter steady	1234	Enter the desired account number (1234 is just an example)
Enter steady	Enter, Clear	To go back to the main programming menu
Enter blinks	151	To go to Primary Phone Number
Enter steady	123456	Enter the desired phone number (123456 is just an example)
Enter steady	Enter, Clear, Clear	To exit programming mode

Enable keyswitch arm/disarm and status output:

LED indication on Keypad	Keypad Entry	Action Description
	Enter, 0000	To enter programming mode
Enter blinks	001	To go to Zone 1 Options menu
Enter steady	7, 1	7 to set Zone 1 type as Keyswitch, 1 to assign Zone 1 to partition 1
Enter steady	1, 2	Toggle options to 1-ON/Lit, 2-OFF/Dim to enable momentary Keyswitch and enable regular ARM (Arm/Away)
Enter steady	Enter, Clear	To go back to the main programming menu
Enter blinks	066	To go to PGM1 delay settings
Enter steady	0, 0, 0	To set PGM1 delay to 0 seconds
Enter steady	Clear	To go back to the main programming menu
Enter blinks	120	To go to PGM activation events menu
Enter steady	021099	To enable PGM activation when ARM event is received
Enter steady	Clear	To go back to the main programming menu
Enter blinks	121	To go to PGM deactivation events menu
Enter steady	020999	To enable PGM deactivation when DISARM event is received
Enter steady	Clear, Clear	To exit programming mode