

# Interlogix Concord Express

## Wiring M2M's MiNi/MQ Series Cellular Communicators and Programming the Panel

**CAUTION:**

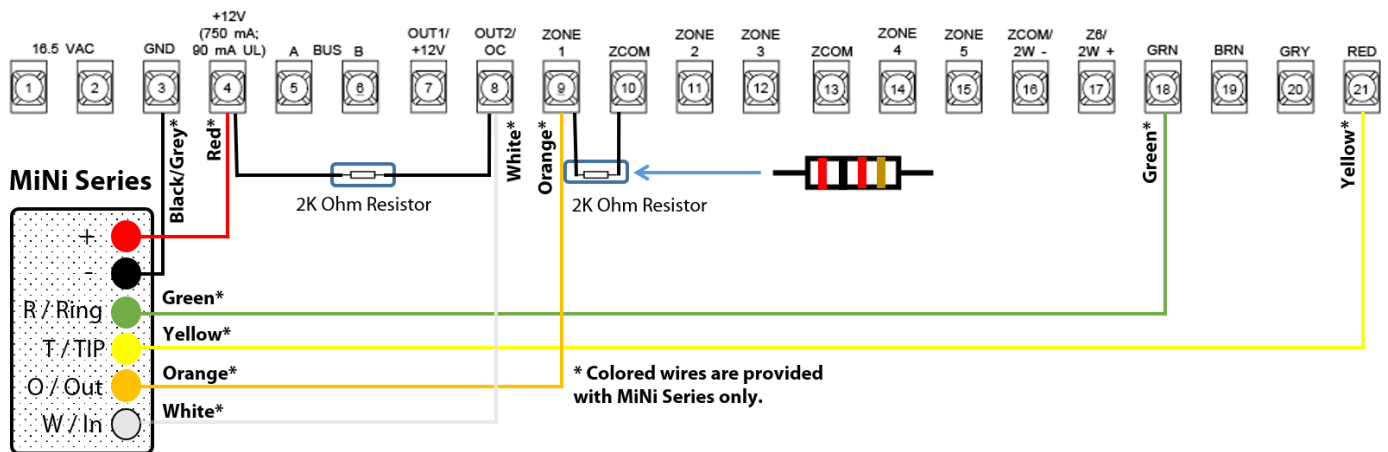
- It is advised that an experienced alarm installer programs the panel as further programming may be required to ensure proper performance and use of the full functionality.
- Do not route any wiring over circuit board.
- Full panel testing, and signal confirmation, must be completed by the installer.

**NEW FEATURE:** For MiNi/MQ Series Communicators, the status of the panel can be retrieved not only from the status PGM but now also from the Open/Close reports from the dialer. Therefore, wiring the white wire and programming of the status PGM of the panel is optional.

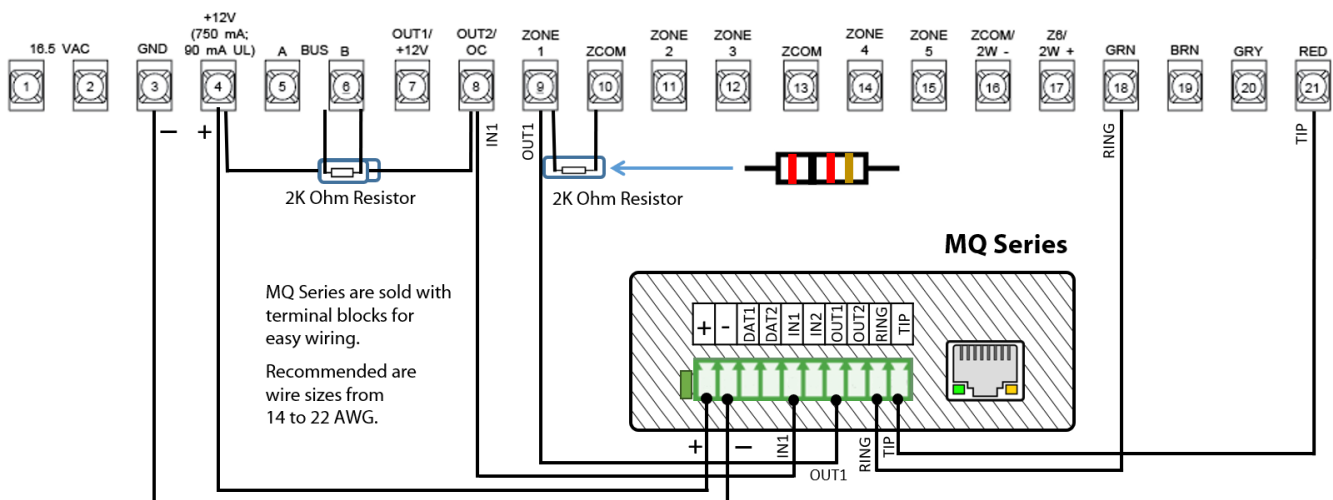
Wiring the white wire is necessary only if the Open/Close reporting is disabled.

**IMPORTANT NOTE:** The Open/Close reporting needs to be enabled during the initial pairing procedure.

### Wiring the MiNi Series communicators to Interlogix Concord Express



### Wiring the MQ Series communicators to Interlogix Concord Express



## Programming the Interlogix Concord Express Alarm Panel via the Keypad

Enable Contact ID reporting:

Keypad Display	Keypad Entr	Action Description
Date & Time	8 4321 00	To enter programming mode.
System programming	#B##	To go to phone number menu.
Phone number	123456#	Enter real or imaginary phone number, # to save.
	**	To go back to phone menu.
Phones	BBBB#	To go to Reporting, # to enter.
Reporting	B#	To go to partition 1 Opening Reports.
Opening reports	2#	Press 2 to turn it ON, # to save.
Opening reports	B#	To go to Closing reports.
Closing reports	2#	Press 2 to turn ON, # to save.
Closing reports	**, BBBB#	To go to the Security menu.
	## B #	To go to Partition 1 account number.
Account number	1234#	Enter your 4-digit account number, # to save.
Account number	**B#	To go to CS phone 1.
CS Phone 1	#BBB#	To go to Open/Close reports.
Open/Close RPTS	2#	Press 2 to turn ON the option "Send Open/Close reports" to phone 1, # save.
Open/Close RPTS	BB#	To go to reporting format.
Reporting format	2#	To choose Contact ID, # to save.
Reporting format	**B#	To go to Global menu.
Global	#BBB#	To go to Comm. Failure, # to enter.
Comm. failure	B	To go to DTMF Dialing.
DTMF Dialing	2#	2 to turn it ON, # to save.
	*	Press * until shows System Programming.
System Programming	A#	The panel exits program mode.

Program Keyswitch zone and output:

Keypad Display	Keypad Entr	Action Description
Date & Time	8 4321 00	To enter programming mode.
System programming	#AAA#	To go to Learn Sensors.
Learn Sensors	#28#	Choose sensors group 28, # to go to next menu.
Trip sensor 1		For this step to be performed all the resistors shown in this manual must be in place. Use wire to short Zone 1 and ZCom. Wait for the panel to beep.
Trip Sensor 2	***BBB#	To go to Security.
Global	B#AA#	To go to Partition 1, Keyswitch Sensor.
Keyswitch Sensor	1#	Enter keyswitch sensor number.
	**A#	To go to Onboard Options.
Inputs	B#B#	To enter Configuration Output 2.
Configuration	00903#	009 To activate OUT2 when arming to stay/away, 03 for Sustained Level for OUT2.
	*	Press * until shows System Programming.
System Programming	A#	The panel exits program mode.