

# Interlogix Simon XT

## Wiring M2M's MiNi/MQ Series Cellular Communicators and Programming the Panel

**CAUTION:**

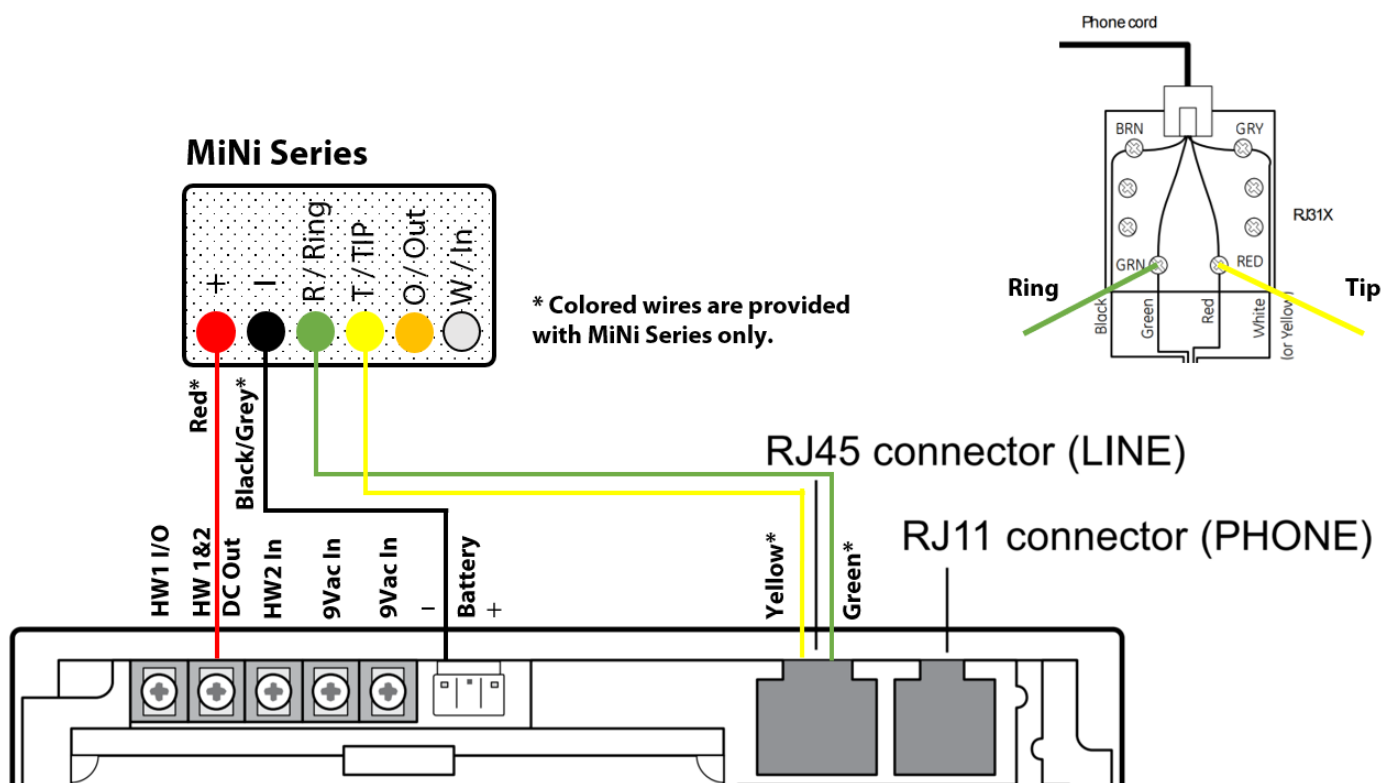
- It is advised that an experienced alarm installer programs the panel as further programming may be required to ensure proper performance and use of the full functionality.
- Do not route any wiring over circuit board.
- Full panel testing, and signal confirmation, must be completed by the installer.

**NEW FEATURE:** For MiNi/MQ Series Communicators, the status of the panel can be retrieved not only from the status PGM but now also from the Open/Close reports from the dialer. Therefore, wiring the white wire and programming of the status PGM of the panel is optional.

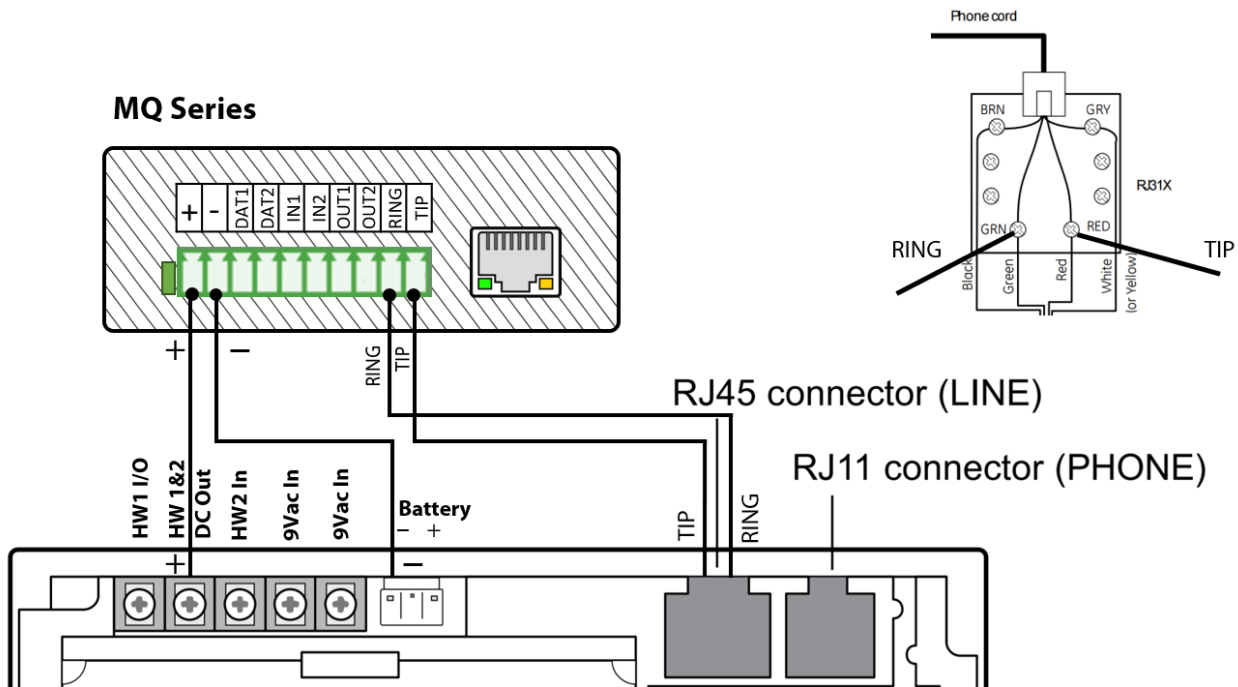
Wiring the white wire is necessary only if the Open/Close reporting is disabled.

**IMPORTANT NOTE:** The Open/Close reporting needs to be enabled during the initial pairing procedure.

### Wiring the MiNi Series communicators to Interlogix Simon XT



## Wiring the MQ Series communicators to Interlogix Simon XT



## Programming the Interlogix Simon XT Alarm Panel via the Keypad

Enable Contact ID reporting:

Keypad Display	Keypad Entry	Action Description
Day, hour	▽▽▽	Press "Down" 3 times to go to "System Programming".
System Programming	OK	Press OK to "Enter Code".
Enter Code	4321, OK	4321 is the default installer code, "OK" to confirm.
Access Codes	▽▽ OK	Press "Down" 2 times to go to "Phone #s", press OK to enter.
Phone #1	OK, 123456, OK	"OK" to enter "Phone #1", 123456 (fictitious or actual number), OK to save.
Phone #1	Status	Press "Status" to go back, press "Down" to go to "Phone Options".
Phone Options	OK,	Press "OK" to enter, Press "Down" 2 times to go to "DTMF Dial".
DTMF Dial	OK, OK	Press "OK" to enter, press "Down" to select "ON", press "OK" to save.
DTMF Dial	Status, ▽▽	Press "Status" to go back, press "Down" 2 times to go to "Reporting".
Reporting	OK, OK, OK	Press "OK" to go to "Opening Reports", "OK" to select, "OK" to edit.
Opening Rpts.	▽ OK, ▽	Press "Down" until "ON" is selected, "OK" to save.
Opening Rpts.	▽ OK	Press "Down" to go to "Closing Reports", press "OK" to edit.
Closing Rpts.	▽ OK	Press "Down" until "ON" is selected, press "OK" to save.
Closing Rpts.	Status, ▽, OK	Press "Status" to go back, "Down" to "Rpt. Comm. Modes", "OK" to enter.
Ph.1 Rpt Mode	△△ OK	Press 2 times "UP" to go to All CID, press "OK" to save.
Ph.1 Rpt Mode	Status, Status	Press "Status" 2 times to go back to main menu.
Reporting	△△△△, OK	Press "UP" 4 times to go to "Security", press "OK" to enter.
Account Nnbr.	OK, 1234, OK	Press "OK" to enter, 1234 (enter your account number) "OK" to save.
Account Nnbr.	Status	Press "Status" 3 times until you exit the programming mode.