

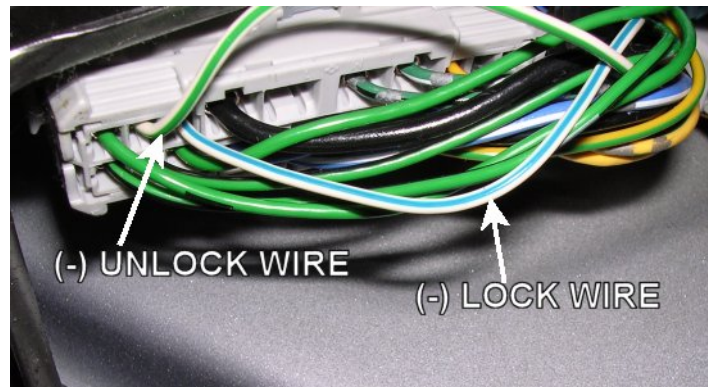
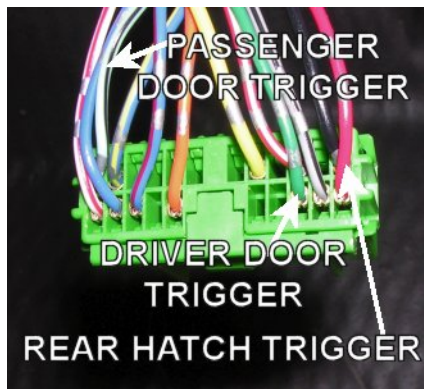
TRIPLE S *Customs*

HONDA ELEMENT 2003-2005 VEHICLE WIRING

WIRING INFORMATION: 2003 Honda Element

| WIRE | WIRE COLOR | WIRE LOCATION |
|-----------------------------|----------------------|--|
| 12V CONSTANT WIRE | WHITE | Ignition Harness |
| STARTER WIRE | BLACK/WHITE | Ignition Harness |
| IGNITION WIRE | BLACK/YELLOW | Ignition Harness |
| ACCESSORY WIRE | BLACK/RED | Ignition Harness |
| SECOND ACCESSORY WIRE | WHITE/RED | Ignition Harness |
| POWER DOOR LOCK (-) | WHITE/BLUE | Gray Connector Against Driver's Kick Panel |
| POWER DOOR UNLOCK (-) | WHITE/GREEN | |
| PARKING LIGHTS (+) | RED/BLACK | Blue Connector Against Driver's Kick Panel |
| PARKING LIGHTS (-) | BLUE | Green Connector Under Dash Left Of Steering Column. This Connector Is Taped To Another Harness With Blue Tape. |
| HEADLIGHTS (-) | BLUE/RED | |
| DRIVER DOOR TRIGGER (-) | GREEN | LT.GREEN/BLACK |
| PASSENGER DOORS TRIGGER (-) | LT.GREEN/BLACK | |
| DOME SUPERVISION | COMES ON WITH UNLOCK | |
| REAR HATCH TRIGGER (-) | RED | Green Connector Under Dash Left Of Steering Column. This Connector Is Taped To Another Harness With Blue Tape. |
| HOOD TRIGGER (-) | YELLOW/RED | |
| REAR HATCH RELEASE (-) | BLACK/YELLOW | Harness In Driver Kick Panel |
| TACHOMETER | BLUE | Small Connector Next To Battery |
| BRAKE WIRE (+) | WHITE/BLACK | Plug At Brake Pedal Switch |
| HORN TRIGGER (-) | ORANGE | Green Connector Under Dash Left Of Steering Column. This Connector Is Taped To Another Harness With Blue Tape. |
| LEFT FRONT WINDOW UP | RED/BLACK | At Driver Window Motor Inside Door |
| LEFT FRONT WINDOW DOWN | RED/YELLOW | At Driver Window Motor Inside Door |
| RIGHT FRONT WINDOW UP | BLUE/RED | Harness In Driver's Kick From Driver Door |
| RIGHT FRONT WINDOW DOWN | BLUE/WHITE | Harness In Driver's Kick From Driver Door |
| LEFT REAR WINDOW UP | BLUE/BLACK | Harness In Driver's Kick From Driver Door |
| LEFT REAR WINDOW DOWN | BROWN | Harness In Driver's Kick From Driver Door |
| RIGHT REAR WINDOW UP | BLUE/ORANGE | Harness In Driver's Kick From Driver Door |
| RIGHT REAR WINDOW DOWN | BLUE/YELLOW | Harness In Driver's Kick From Driver Door |

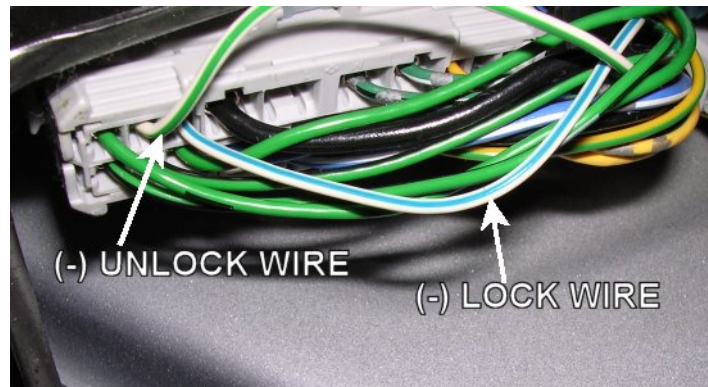
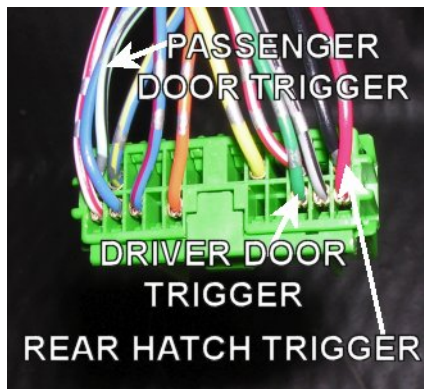
This vehicle is equipped with a factory Immobilizer system. This must be bypassed when installing a remote start system.



WIRING INFORMATION: 2004 Honda Element

| WIRE | WIRE COLOR | WIRE LOCATION |
|-----------------------------|----------------------|--|
| 12V CONSTANT WIRE | WHITE | Ignition Harness |
| STARTER WIRE | BLACK/WHITE | Ignition Harness |
| IGNITION WIRE | BLACK/YELLOW | Ignition Harness |
| ACCESSORY WIRE | BLACK/RED | Ignition Harness |
| SECOND ACCESSORY WIRE | WHITE/RED | Ignition Harness |
| POWER DOOR LOCK (-) | WHITE/BLUE | Gray Connector Against Driver's Kick Panel |
| POWER DOOR UNLOCK (-) | WHITE/GREEN | |
| PARKING LIGHTS (+) | RED/BLACK | Blue Connector Against Driver's Kick Panel |
| PARKING LIGHTS (-) | BLUE | Green Connector Under Dash Left Of Steering Column. This Connector Is Taped To Another Harness With Blue Tape. |
| HEADLIGHTS (-) | BLUE/RED | |
| DRIVER DOOR TRIGGER (-) | GREEN | LT.GREEN/BLACK |
| PASSENGER DOORS TRIGGER (-) | LT.GREEN/BLACK | |
| DOME SUPERVISION | COMES ON WITH UNLOCK | |
| REAR HATCH TRIGGER (-) | RED | Green Connector Under Dash Left Of Steering Column. This Connector Is Taped To Another Harness With Blue Tape. |
| HOOD TRIGGER (-) | YELLOW/RED | |
| REAR HATCH RELEASE (-) | BLACK/YELLOW | Harness In Driver Kick Panel |
| TACHOMETER | BLUE | Small Connector Next To Battery |
| BRAKE WIRE (+) | WHITE/BLACK | Plug At Brake Pedal Switch |
| HORN TRIGGER (-) | ORANGE | Green Connector Under Dash Left Of Steering Column. This Connector Is Taped To Another Harness With Blue Tape. |
| LEFT FRONT WINDOW UP | RED/BLACK | At Driver Window Motor Inside Door |
| LEFT FRONT WINDOW DOWN | RED/YELLOW | At Driver Window Motor Inside Door |
| RIGHT FRONT WINDOW UP | BLUE/RED | Harness In Driver's Kick From Driver Door |
| RIGHT FRONT WINDOW DOWN | BLUE/WHITE | Harness In Driver's Kick From Driver Door |
| LEFT REAR WINDOW UP | BLUE/BLACK | Harness In Driver's Kick From Driver Door |
| LEFT REAR WINDOW DOWN | BROWN | Harness In Driver's Kick From Driver Door |
| RIGHT REAR WINDOW UP | BLUE/ORANGE | Harness In Driver's Kick From Driver Door |
| RIGHT REAR WINDOW DOWN | BLUE/YELLOW | Harness In Driver's Kick From Driver Door |

This vehicle is equipped with a factory Immobilizer system. This must be bypassed when installing a remote start system.



WIRING INFORMATION: 2005 Honda Element

| WIRE | WIRE COLOR | WIRE LOCATION |
|-----------------------------|----------------------|--|
| 12V CONSTANT WIRE | WHITE | Ignition Harness |
| STARTER WIRE | BLACK/WHITE | Ignition Harness |
| IGNITION WIRE | BLACK/YELLOW | Ignition Harness |
| ACCESSORY WIRE | BLACK/RED | Ignition Harness |
| SECOND ACCESSORY WIRE | WHITE/RED | Ignition Harness |
| POWER DOOR LOCK (-) | WHITE/BLUE | Gray Connector Against Driver's Kick Panel |
| POWER DOOR UNLOCK (-) | WHITE/GREEN | |
| PARKING LIGHTS (+) | RED/BLACK | Blue Connector Against Driver's Kick Panel |
| PARKING LIGHTS (-) | BLUE | Green Connector Under Dash Left Of Steering Column. This Connector Is Taped To Another Harness With Blue Tape. |
| HEADLIGHTS (-) | BLUE/RED | |
| DRIVER DOOR TRIGGER (-) | GREEN | LT.GREEN/BLACK |
| PASSENGER DOORS TRIGGER (-) | LT.GREEN/BLACK | |
| DOME SUPERVISION | COMES ON WITH UNLOCK | |
| REAR HATCH TRIGGER (-) | RED | Green Connector Under Dash Left Of Steering Column. This Connector Is Taped To Another Harness With Blue Tape. |
| HOOD TRIGGER (-) | YELLOW/RED | |
| REAR HATCH RELEASE (-) | BLACK/YELLOW | Harness In Driver Kick Panel |
| TACHOMETER | BLUE | Small Connector Next To Battery |
| BRAKE WIRE (+) | WHITE/BLACK | Plug At Brake Pedal Switch |
| HORN TRIGGER (-) | ORANGE | Green Connector Under Dash Left Of Steering Column. This Connector Is Taped To Another Harness With Blue Tape. |
| LEFT FRONT WINDOW UP | RED/BLACK | At Driver Window Motor Inside Door |
| LEFT FRONT WINDOW DOWN | RED/YELLOW | At Driver Window Motor Inside Door |
| RIGHT FRONT WINDOW UP | BLUE/RED | Harness In Driver's Kick From Driver Door |
| RIGHT FRONT WINDOW DOWN | BLUE/WHITE | Harness In Driver's Kick From Driver Door |
| LEFT REAR WINDOW UP | BLUE/BLACK | Harness In Driver's Kick From Driver Door |
| LEFT REAR WINDOW DOWN | BROWN | Harness In Driver's Kick From Driver Door |
| RIGHT REAR WINDOW UP | BLUE/ORANGE | Harness In Driver's Kick From Driver Door |
| RIGHT REAR WINDOW DOWN | BLUE/YELLOW | Harness In Driver's Kick From Driver Door |

This vehicle is equipped with a factory Immobilizer system. This must be bypassed when installing a remote start system.

